



US009046961B2

(12) **United States Patent**
King et al.

(10) **Patent No.:** **US 9,046,961 B2**
(45) **Date of Patent:** **Jun. 2, 2015**

(54) **ROBUST OPTICAL TOUCH—SCREEN SYSTEMS AND METHODS USING A PLANAR TRANSPARENT SHEET**

(71) Applicants: **Jeffrey Stapleton King**, Menlo Park, CA (US); **Dragan Pikula**, Horseheads, NY (US); **Richard Clayton Walker**, Palo Alto, CA (US)

(72) Inventors: **Jeffrey Stapleton King**, Menlo Park, CA (US); **Dragan Pikula**, Horseheads, NY (US); **Richard Clayton Walker**, Palo Alto, CA (US)

(73) Assignee: **CORNING INCORPORATED**, Corning, NY (US)

(*) Notice: Subject to any disclaimer, the term of this patent is extended or adjusted under 35 U.S.C. 154(b) by 196 days.

(21) Appl. No.: **13/686,571**

(22) Filed: **Nov. 27, 2012**

(65) **Prior Publication Data**
US 2013/0135259 A1 May 30, 2013

Related U.S. Application Data

(60) Provisional application No. 61/564,024, filed on Nov. 28, 2011.

(51) **Int. Cl.**
G06F 3/042 (2006.01)

(52) **U.S. Cl.**
CPC **G06F 3/0421** (2013.01); **G06F 3/0428** (2013.01); **G06F 2203/04104** (2013.01); **G06F 2203/04109** (2013.01)

(58) **Field of Classification Search**
CPC G06F 3/042-3/0428
USPC 345/156-184
See application file for complete search history.

(56) **References Cited**

U.S. PATENT DOCUMENTS			
4,254,333	A	3/1981	Bergstrom
4,346,376	A	8/1982	Mallos
4,484,179	A	11/1984	Kasday 340/365
4,511,760	A	4/1985	Garwin et al. 178/18
4,542,375	A	9/1985	Alles et al. 340/712
4,673,918	A	6/1987	Adler et al.

(Continued)

FOREIGN PATENT DOCUMENTS

EP	0901229	6/2007
EP	2392904	12/2011

(Continued)

OTHER PUBLICATIONS

Machine translation of JP2011-103094.
Machine translation of FR2963839.
Avinash C. Kak et al., "Principles of computerized tomographic imaging", IEEE Press, 1988—book.
Klaus Mueller, "Fast and Accurate Three-Dimensional Reconstruction From Cone-Beam Projection Data Using Algebraic Methods", Dissertation, Ph.D, The Ohio State University, 1998.

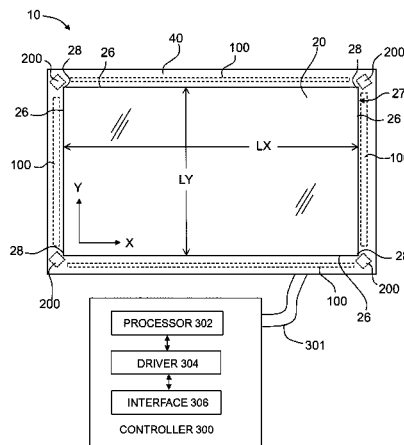
(Continued)

Primary Examiner — William Boddie
Assistant Examiner — Carolyn R Edwards
(74) *Attorney, Agent, or Firm* — Jason A. Barron

(57) **ABSTRACT**

An optical touch screen that utilizes a planar transparent sheet and that is configured to determine the position of a touch event on the transparent sheet is disclosed. Light-source elements and light-sensing elements are operably disposed at the transparent sheet perimeter. Light is detected over lines-of-sight between the light-source elements and the light-sensing elements. Attenuated lines-of-sight due to a touch event are determined. Polygons are established by overlapping triangles defined by the limiting lines of sight for each light-sensing element. Polygons with attenuations below the attenuation threshold are eliminated. The centers of the remaining polygons are then determined to establish the locations of the touch events. The systems and methods provide robust detection of multiple touch events.

20 Claims, 18 Drawing Sheets



(56)

References Cited

U.S. PATENT DOCUMENTS

4,687,885 A 8/1987 Talmage, Jr. et al. 178/18
 4,703,316 A 10/1987 Sherbeck
 4,725,978 A 2/1988 Fujioka 364/900
 5,222,400 A 6/1993 Hilton 73/862.043
 5,446,480 A 8/1995 Yoshida 345/157
 5,610,629 A 3/1997 Baur 345/104
 5,764,223 A 6/1998 Chang et al.
 6,031,520 A 2/2000 De Gotari 345/157
 6,084,571 A 7/2000 De Gotari 345/157
 6,326,948 B1 12/2001 Kobachi et al. 345/157
 6,504,530 B1 1/2003 Wilson et al. 345/173
 6,556,149 B1 4/2003 Reimer et al. 341/20
 6,788,295 B1 9/2004 Inkster 345/175
 6,804,012 B2 10/2004 Gombert 356/614
 6,816,537 B2 11/2004 Liess 372/109
 6,900,795 B1 5/2005 Knight, III et al. 345/173
 6,927,384 B2 8/2005 Reime et al.
 7,042,444 B2 5/2006 Cok
 7,098,592 B2 8/2006 Nishikawa
 7,157,649 B2 1/2007 Hill 178/18.04
 7,158,054 B2 1/2007 Pihlaja 341/22
 7,298,367 B2 11/2007 Geaghan et al.
 7,417,627 B2 8/2008 Cok 345/173
 7,432,893 B2 10/2008 Ma et al.
 7,442,914 B2 10/2008 Eliasson et al.
 7,465,914 B2 12/2008 Eliasson et al.
 7,515,140 B2 4/2009 Philipp 345/173
 7,685,538 B2 3/2010 Fleck et al. 715/863
 7,705,835 B2 4/2010 Eikman
 7,786,978 B2 8/2010 Lapstun et al. 345/166
 7,855,716 B2 12/2010 McCreary et al.
 7,903,090 B2 3/2011 Soss et al. 345/173
 7,920,124 B2 4/2011 Tokita et al. 345/156
 8,049,739 B2 11/2011 Wu et al. 345/175
 8,075,999 B2 12/2011 Barefoot et al.
 8,130,210 B2 3/2012 Saxena et al. 345/175
 8,179,375 B2 5/2012 Ciesla et al. 345/173
 8,187,987 B2 5/2012 Amin et al.
 8,253,712 B2 8/2012 Klinghult 345/174
 8,325,158 B2 12/2012 Yatsuda et al. 345/176
 8,368,677 B2 2/2013 Yamamoto 345/207
 8,378,975 B2 2/2013 Yoon et al. 345/173
 8,390,481 B2 3/2013 Pance et al. 341/33
 8,395,601 B2 3/2013 Nho et al. 345/176
 8,411,068 B2 4/2013 Lu et al. 345/175
 8,553,014 B2 10/2013 Holmgren et al. 345/176
 2001/0007449 A1 7/2001 Kobachi et al. 345/156
 2002/0175900 A1 11/2002 Armstrong
 2003/0026971 A1 2/2003 Inkster et al. 428/304.4
 2004/0252091 A1* 12/2004 Ma et al. 345/87
 2005/0191062 A1 9/2005 Rafferty et al.
 2005/0248540 A1 11/2005 Newton
 2006/0096392 A1 5/2006 Inkster et al. 73/862.041
 2006/0158437 A1 7/2006 Blythe et al.
 2006/0227085 A1* 10/2006 Boldt et al. 345/83
 2006/0279558 A1 12/2006 Van Delden et al.
 2008/0068343 A1 3/2008 Hoshino et al. 345/173
 2008/0088597 A1 4/2008 Prest et al. 345/173
 2008/0088600 A1 4/2008 Prest et al. 345/173
 2008/0158175 A1* 7/2008 Hotelling et al. 345/173
 2008/0284742 A1 11/2008 Prest et al. 345/173
 2008/0284925 A1 11/2008 Han
 2008/0286548 A1 11/2008 Ellison et al.
 2008/0289884 A1 11/2008 Elwell 178/18.01
 2008/0303797 A1 12/2008 Grothe 345/173
 2009/0002347 A1* 1/2009 Ming et al. 345/182
 2009/0015564 A1 1/2009 Ye et al. 345/173
 2009/0073142 A1 3/2009 Yamashita et al.
 2009/0153519 A1 6/2009 Suarez Rovere
 2009/0189878 A1 7/2009 Goertz et al.
 2009/0215607 A1 8/2009 Dejneka et al.
 2009/0219253 A1 9/2009 Izadi et al. 345/173
 2009/0219261 A1 9/2009 Jacobson et al. 345/175
 2010/0001978 A1 1/2010 Lynch et al. 345/175

2010/0060548 A1 3/2010 Choi et al. 345/1.3
 2010/0079407 A1 4/2010 Suggs
 2010/0085329 A1 4/2010 Tseng et al.
 2010/0090969 A1 4/2010 Zhao et al.
 2010/0103123 A1 4/2010 Cohen et al. 345/173
 2010/0103140 A1 4/2010 Hansson 345/175
 2010/0117974 A1 5/2010 Joguet et al. 345/173
 2010/0117989 A1 5/2010 Chang 345/175
 2010/0156847 A1 6/2010 No et al. 345/175
 2010/0182168 A1 7/2010 Van De Wijdeven et al.
 2010/0207906 A1 8/2010 Anglin et al. 345/174
 2010/0245288 A1 9/2010 Harris 345/175
 2010/0253650 A1 10/2010 Dietzel et al. 345/175
 2010/0295821 A1 11/2010 Chang et al.
 2010/0302209 A1 12/2010 Large
 2010/0321310 A1 12/2010 Kim et al. 345/173
 2011/0141053 A1 6/2011 Bulea et al. 345/174
 2011/0148819 A1 6/2011 Yu
 2011/0157092 A1 6/2011 Yang 345/175
 2011/0163997 A1 7/2011 Kim
 2011/0199340 A1 8/2011 Aikio et al.
 2011/0221997 A1 9/2011 Kim et al.
 2011/0227874 A1 9/2011 Fahraeus et al.
 2011/0234537 A1 9/2011 Kim
 2011/0298742 A1 12/2011 Dingnan 345/173
 2012/0038593 A1 2/2012 Ronka et al.
 2012/0068939 A1 3/2012 Pemberton-Pigott 345/173
 2012/0068970 A1 3/2012 Pemberton-Pigott 345/175
 2012/0068971 A1 3/2012 Pemberton-Pigott 345/175
 2012/0071206 A1 3/2012 Pemberton-Pigott 455/566
 2012/0092250 A1 4/2012 Hadas et al. 345/156
 2012/0176345 A1 7/2012 Ye et al. 345/175
 2012/0212441 A1* 8/2012 Christiansson et al. 345/173
 2012/0212451 A1 8/2012 Large et al. 345/175
 2012/0242607 A1 9/2012 Ciesla et al. 345/173
 2012/0326981 A1 12/2012 Kurose 345/160
 2013/0107306 A1 5/2013 Yoon et al. 358/1.13
 2013/0135254 A1 5/2013 Lee et al. 345/175

FOREIGN PATENT DOCUMENTS

EP 2437144 4/2012
 EP 2437145 4/2012
 EP 2439620 4/2012
 EP 2439619 5/2012
 FR 2963839 8/2010
 GB 2313195 11/1997
 JP 2011103094 5/2011
 WO 02/35460 5/2002
 WO 2010/063320 6/2010
 WO 2011028169 A1 3/2011
 WO 2011028170 A1 3/2011
 WO 2011/049511 4/2011
 WO 2011049513 A1 4/2011
 WO 2011078769 A1 6/2011
 WO 2011095638 A3 8/2011
 WO 2012/027599 3/2012
 WO 2012/087286 6/2012
 WO 2013/029641 3/2013
 WO 2013/037385 3/2013
 WO 2013/068651 5/2013

OTHER PUBLICATIONS

Koeppe et al.; "Hit the Spot 2d light point localisation in flexible and stretchable planar waveguides"; Johannes Kepler University Linz; Soft Matter Physics Group; MRS Spring Meeting (2009); pp. 1-18.
 Sumridetchkajorn et al.; "Ultra-High Contrast Low-Leadage-Light Optical Touch Device Structures Using Light Scattering and Total Internal Reflection Concepts"; Sensors and Actuators A, 126 (2006) 68-72.
 G. Kodl.; "A New Optical Waveguide Pressure Sensor Using Evanescent Field"; Electronic Components and Technology Conference. Proceedings. 54th (Jun. 4, 2004); pp. 1943-1946.
http://dl.dropbox.com/u/56644/MRS_RobertKoeppe.ppt

* cited by examiner

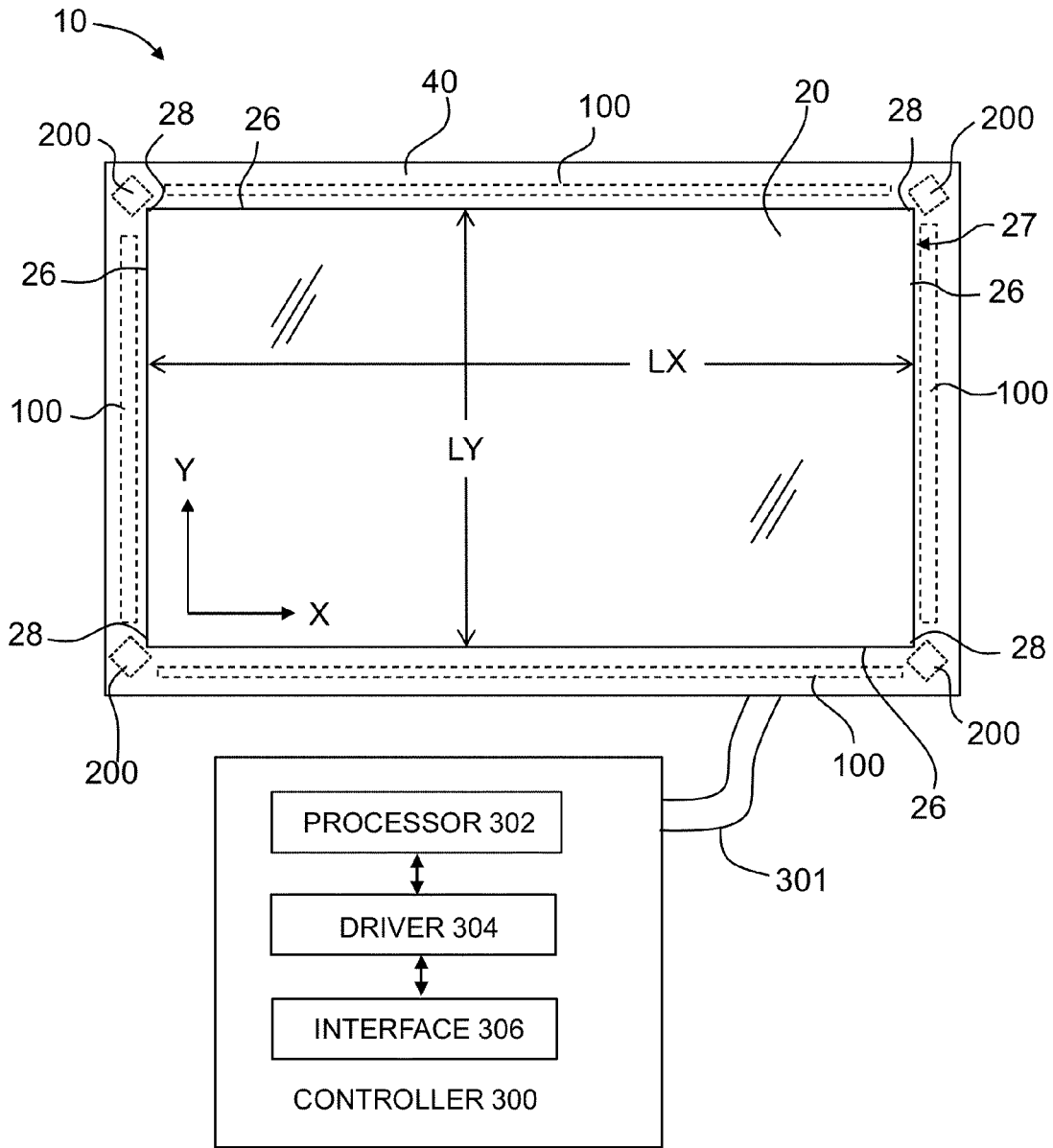
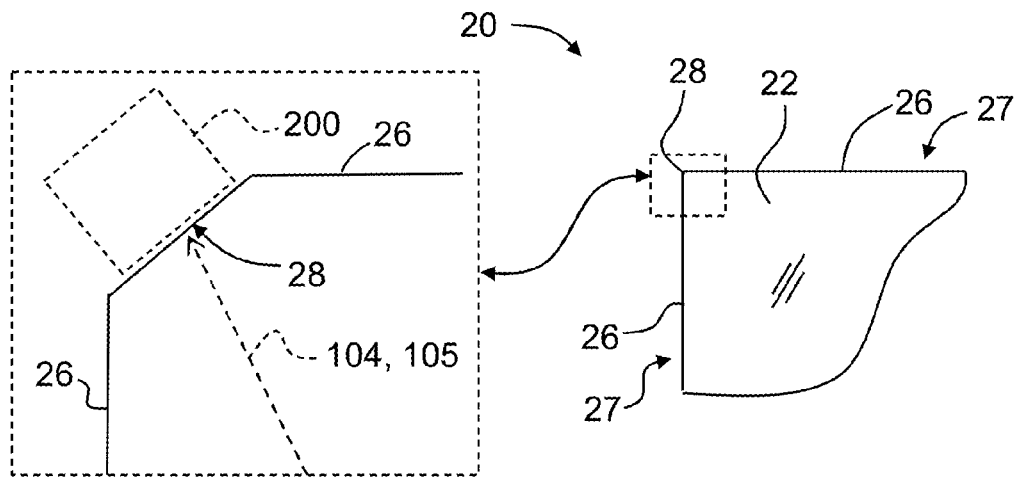
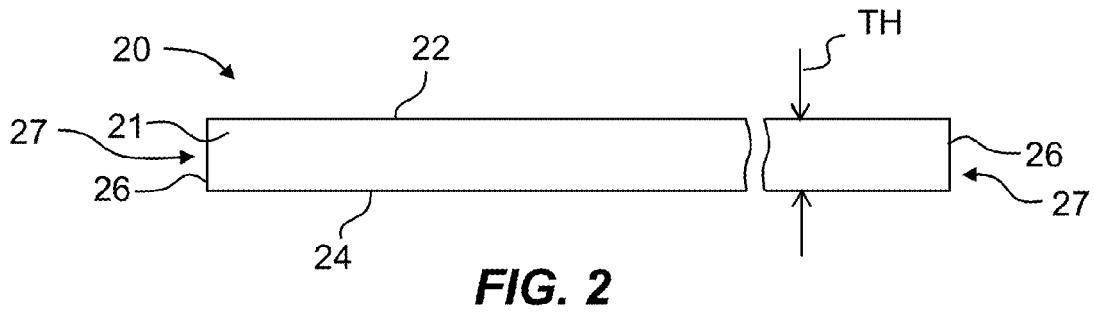
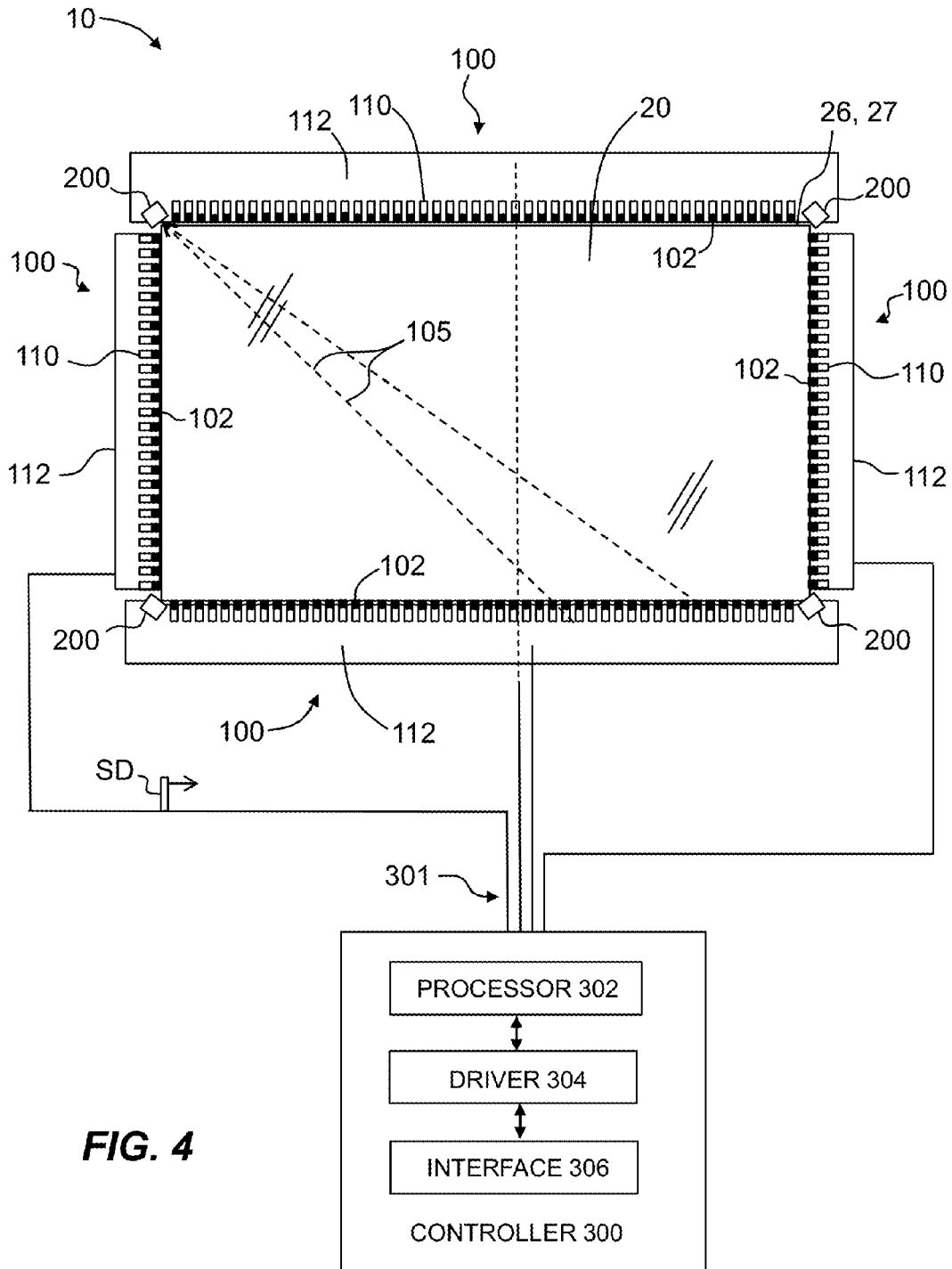


FIG. 1





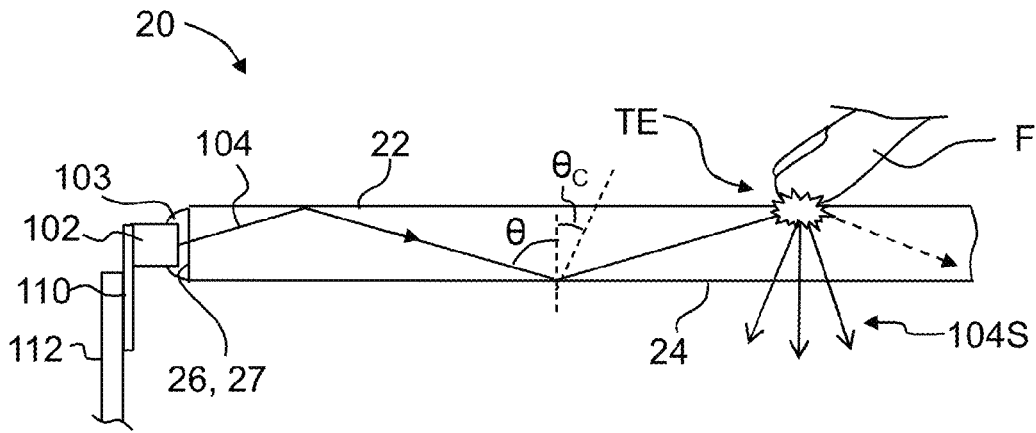


FIG. 5

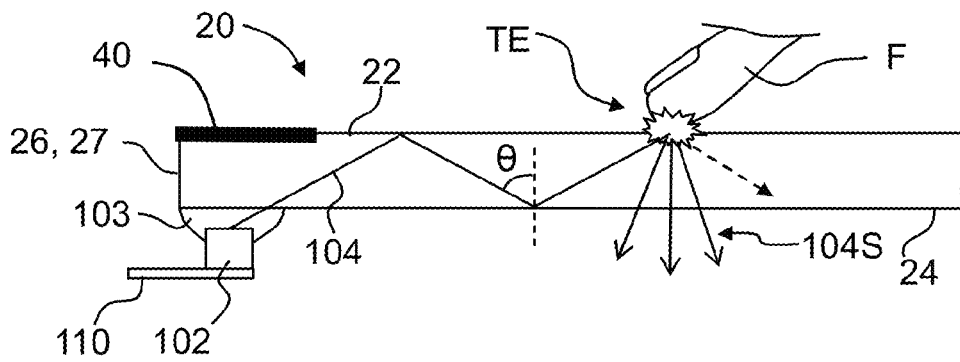


FIG. 6A

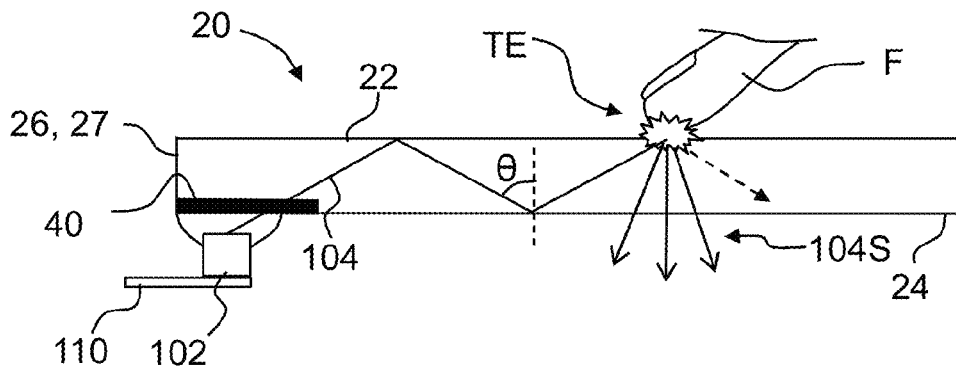


FIG. 6B

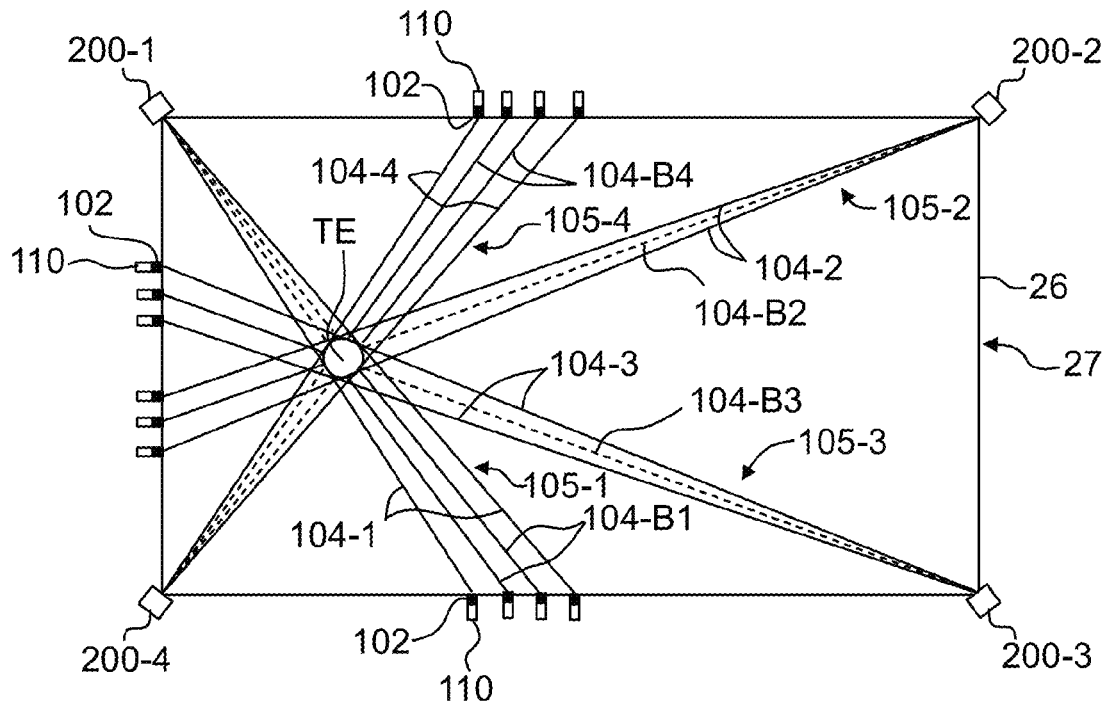


FIG. 7

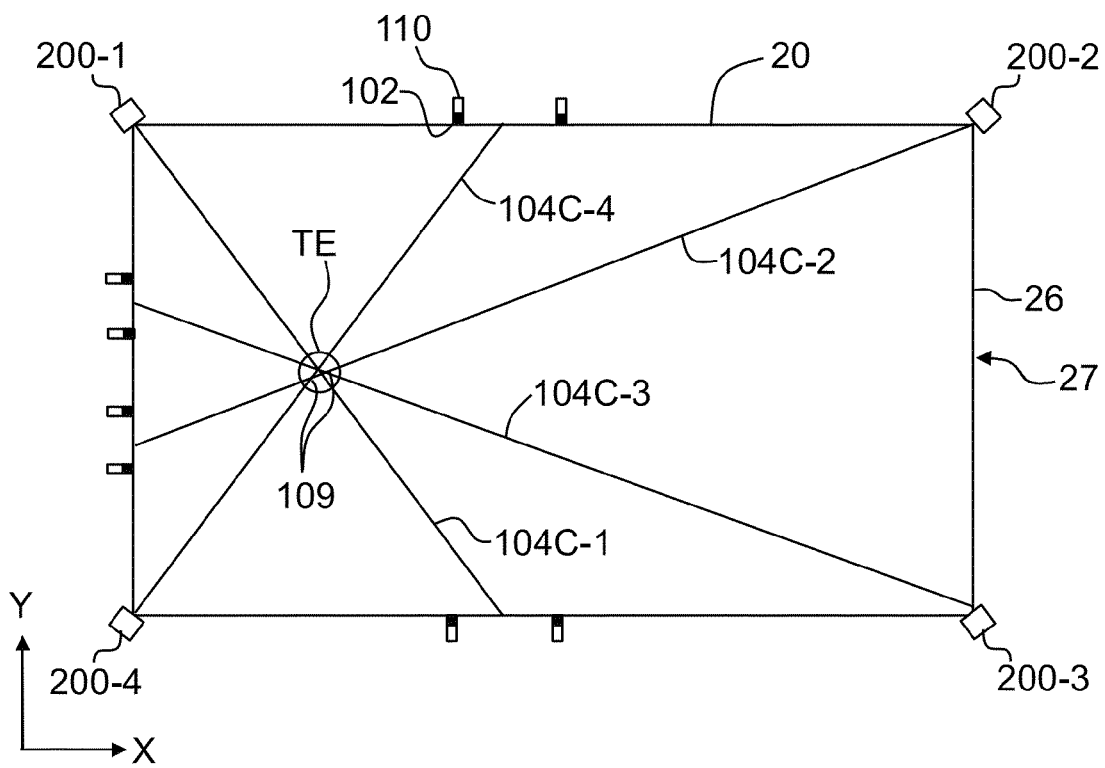


FIG. 8

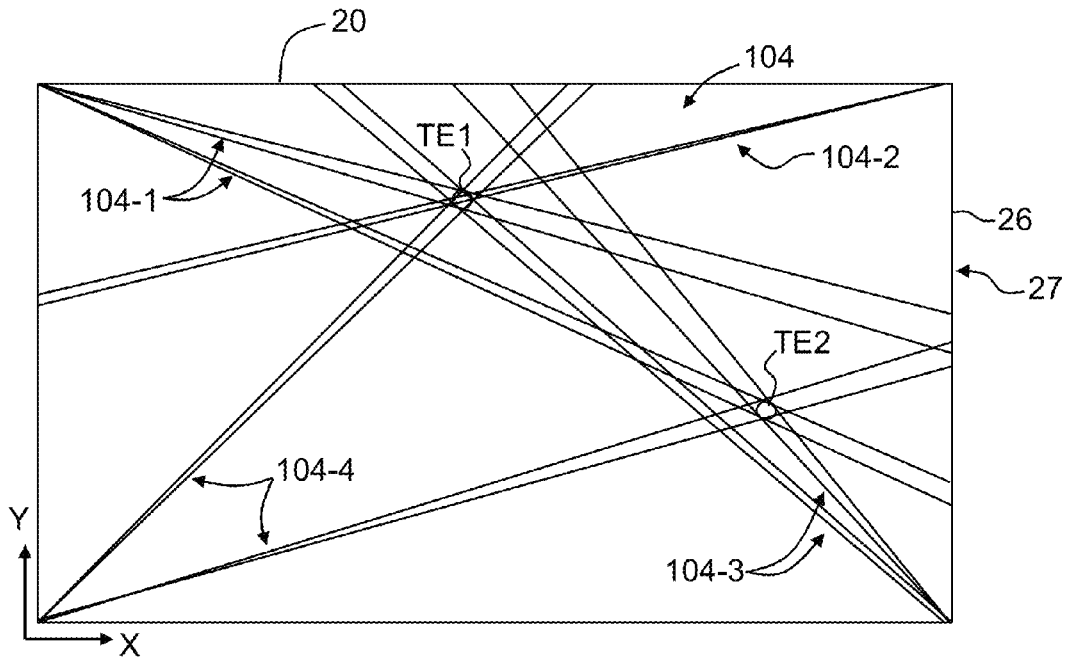


FIG. 9

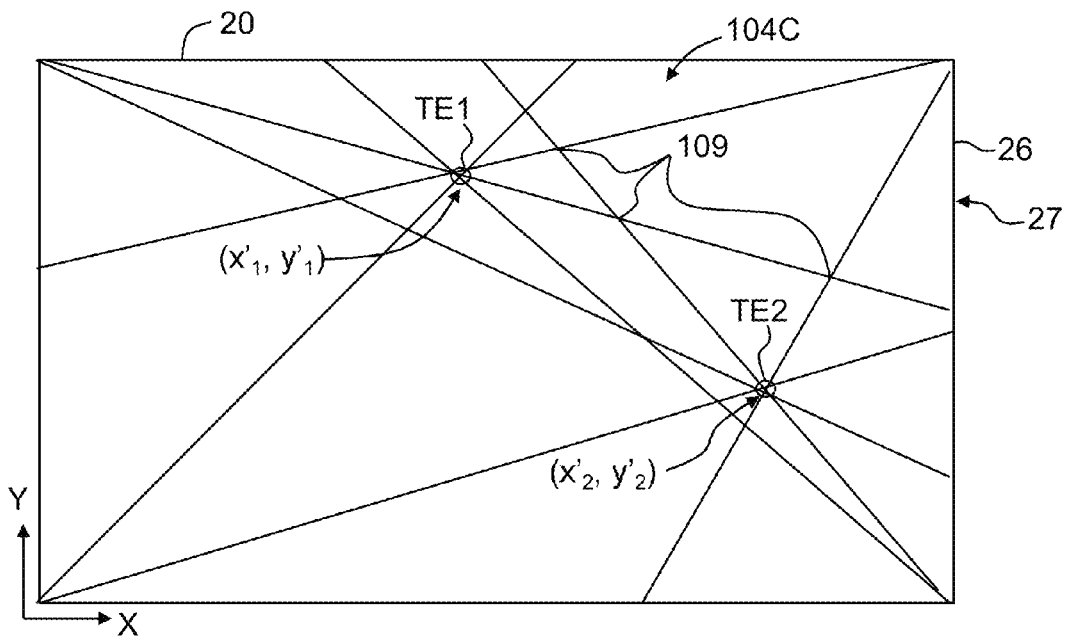


FIG. 10

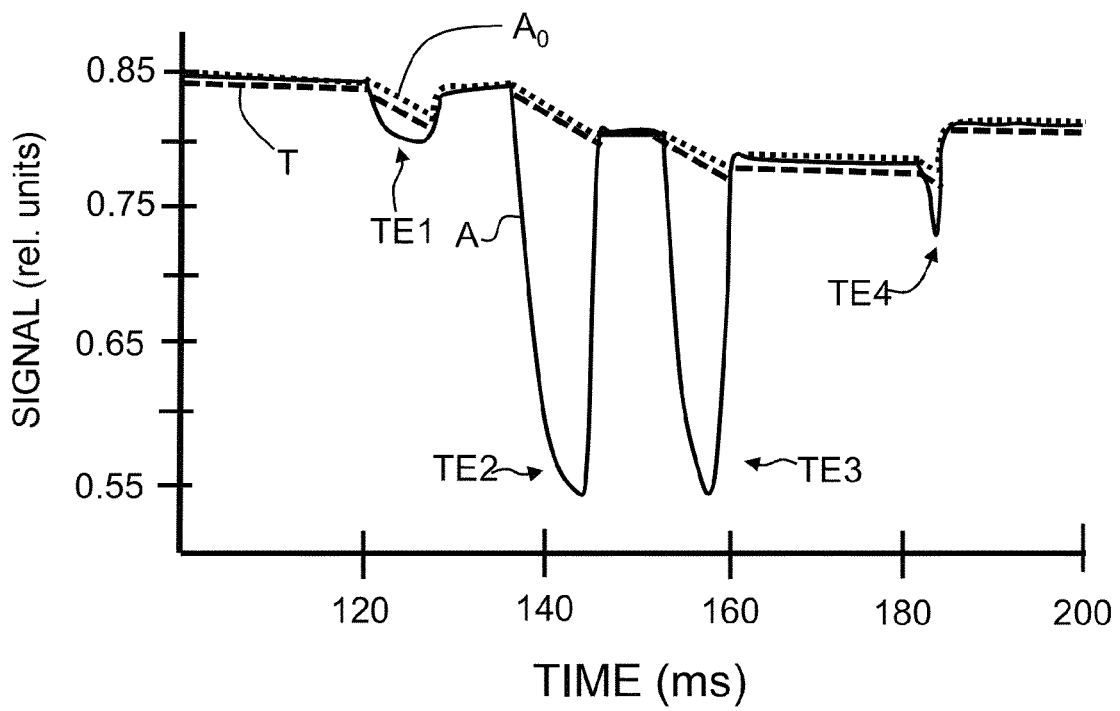


FIG. 11

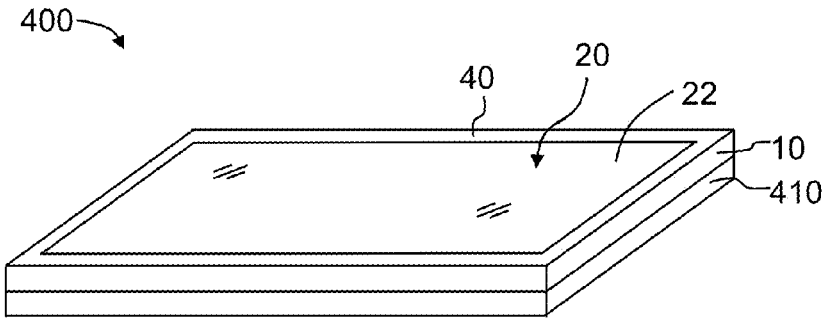


FIG. 12

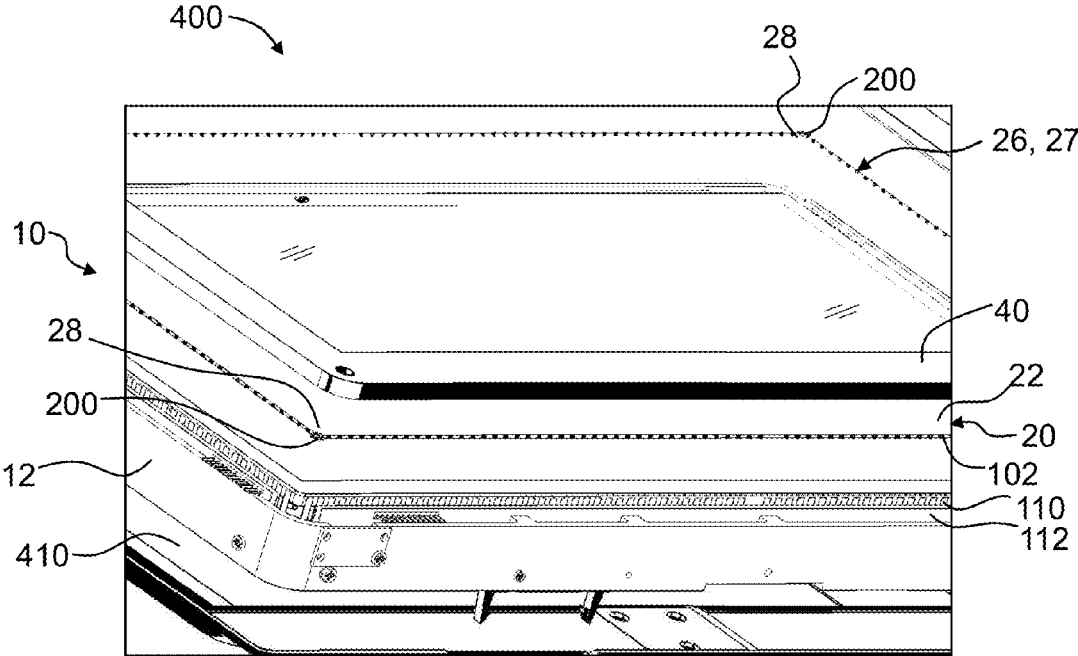


FIG. 13

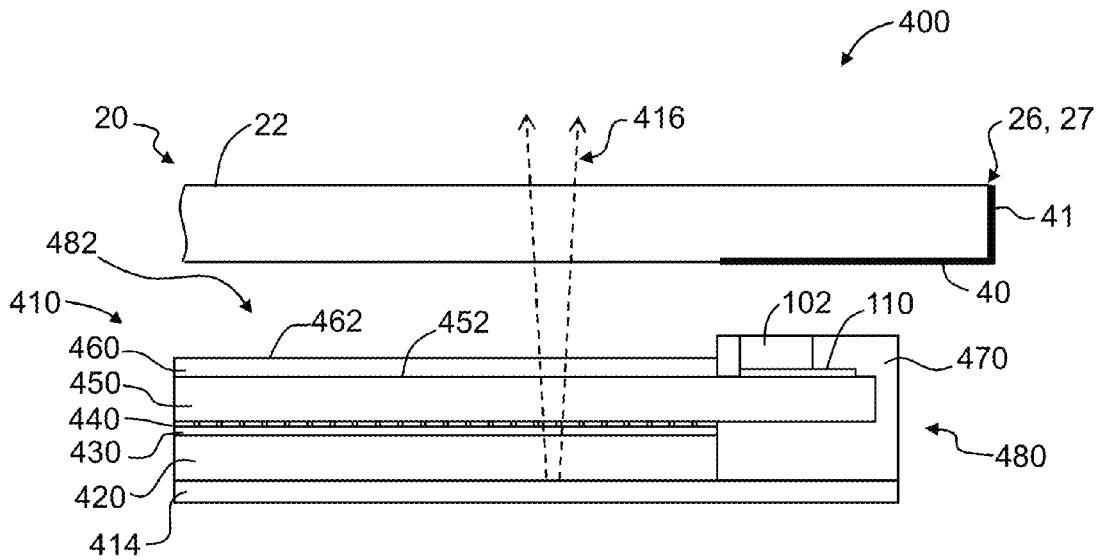


FIG. 14A

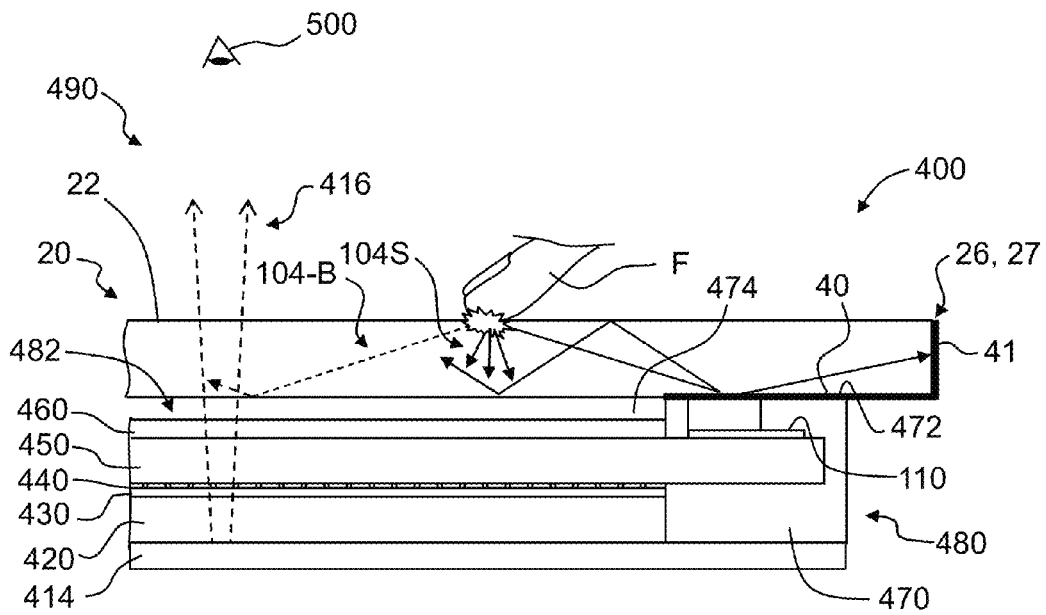


FIG. 14B

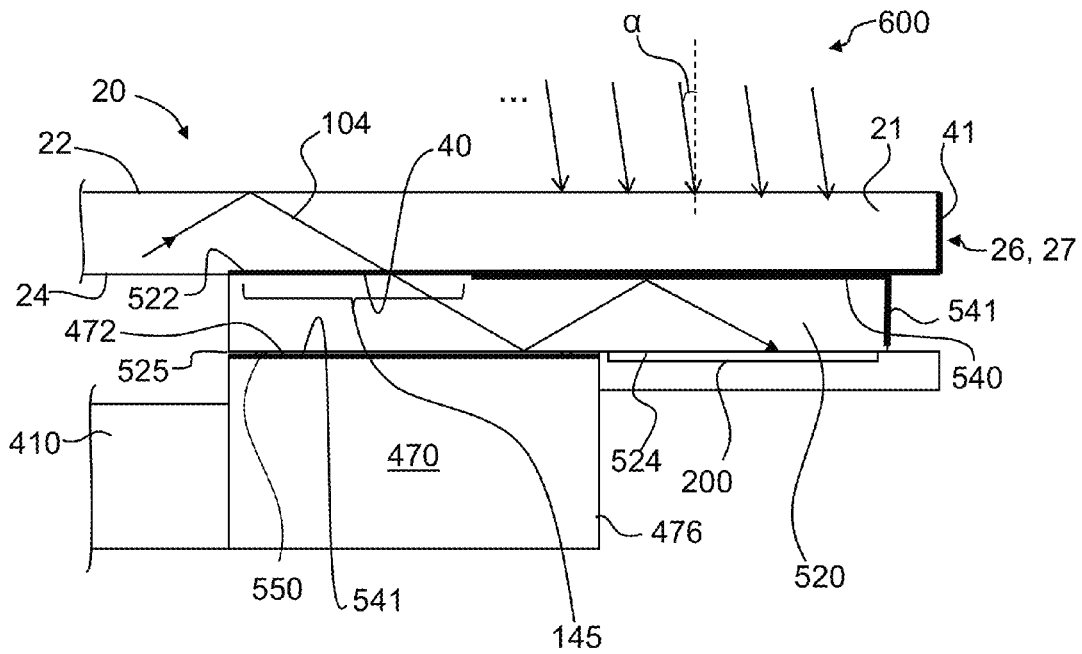


FIG. 15A

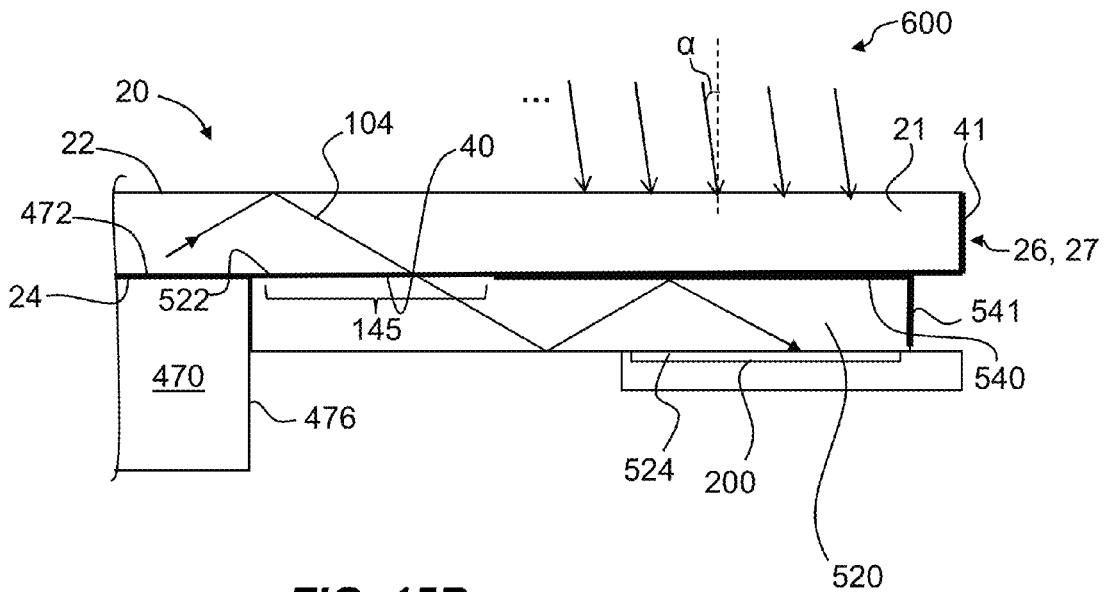


FIG. 15B

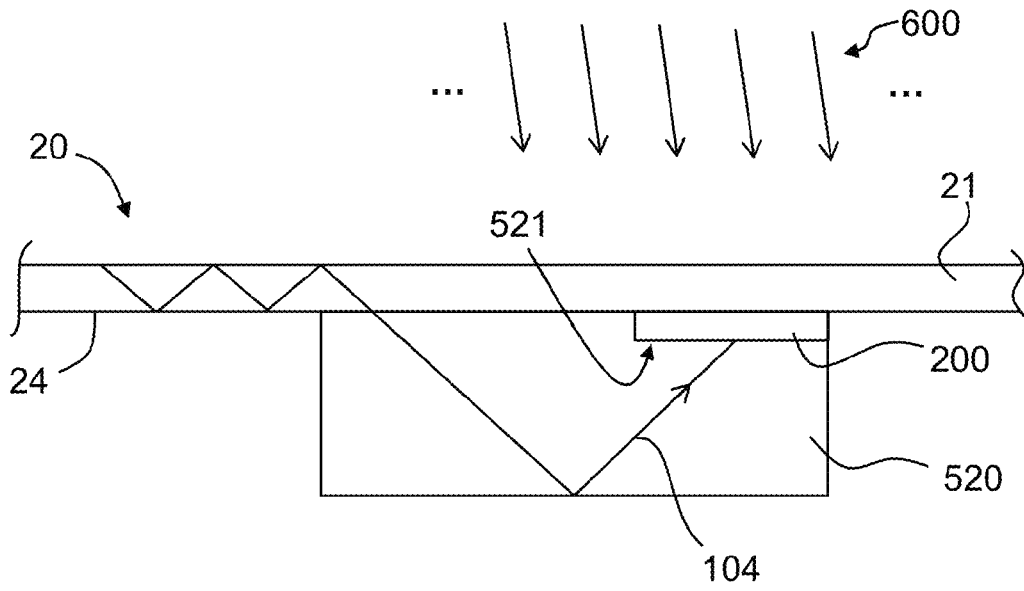


FIG. 15C

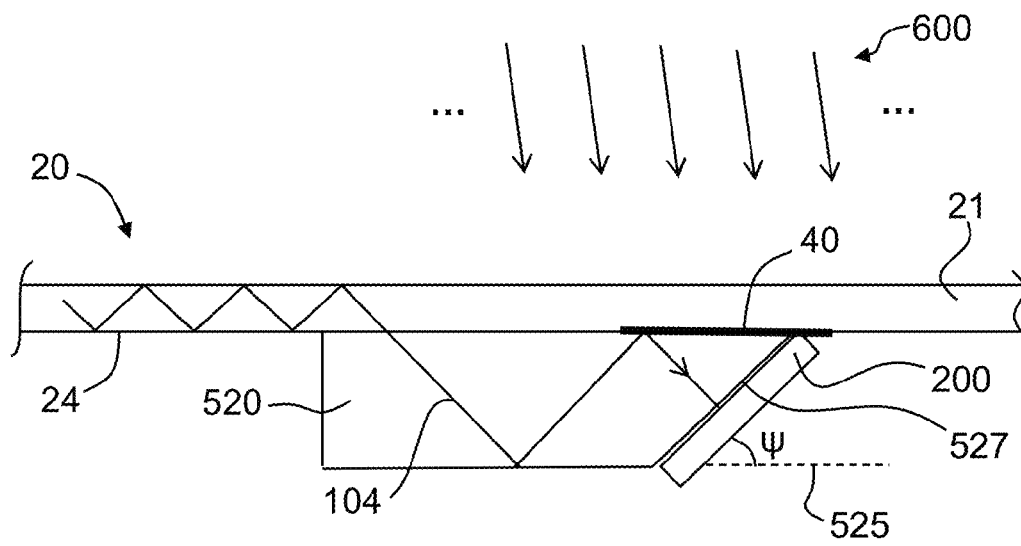


FIG. 15D

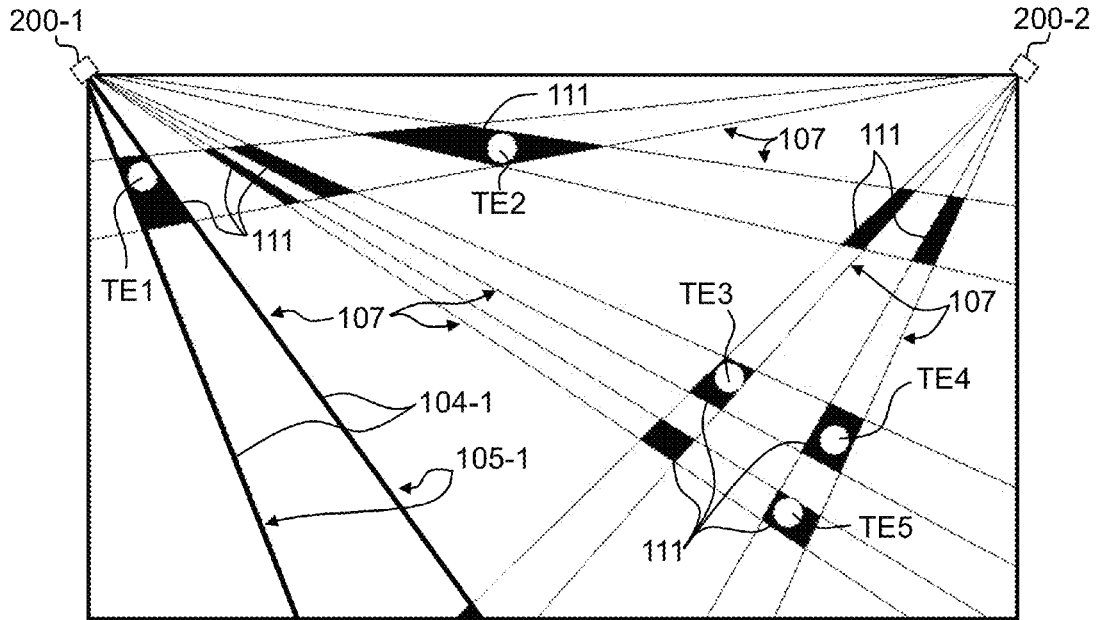


FIG. 16A

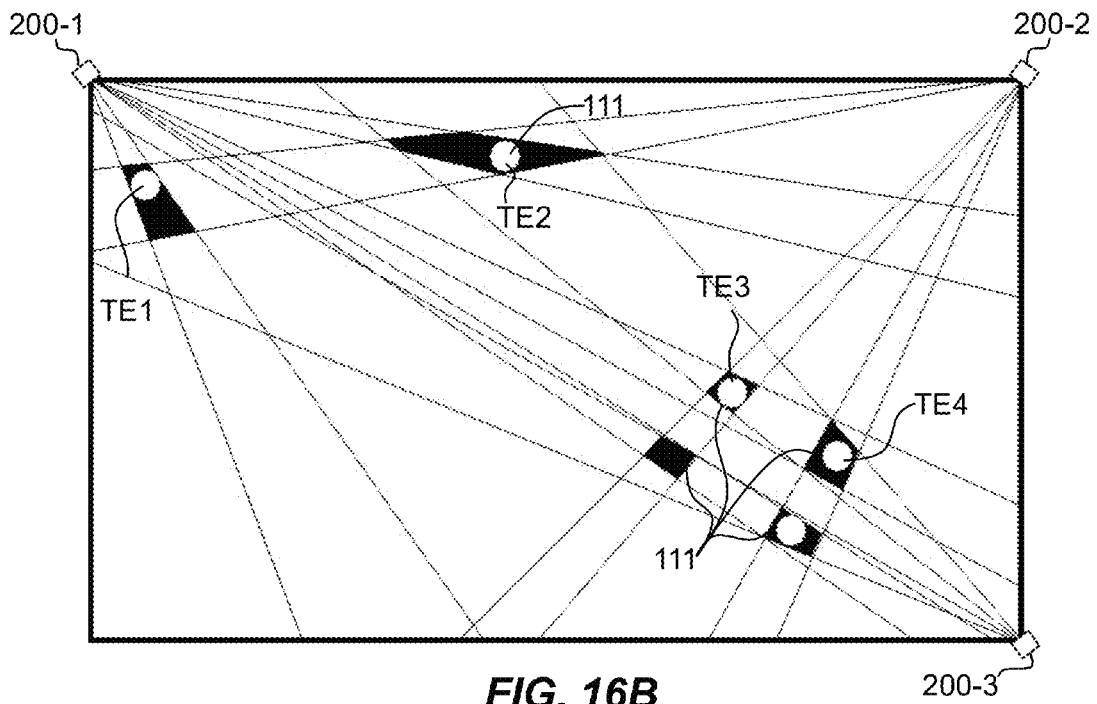


FIG. 16B

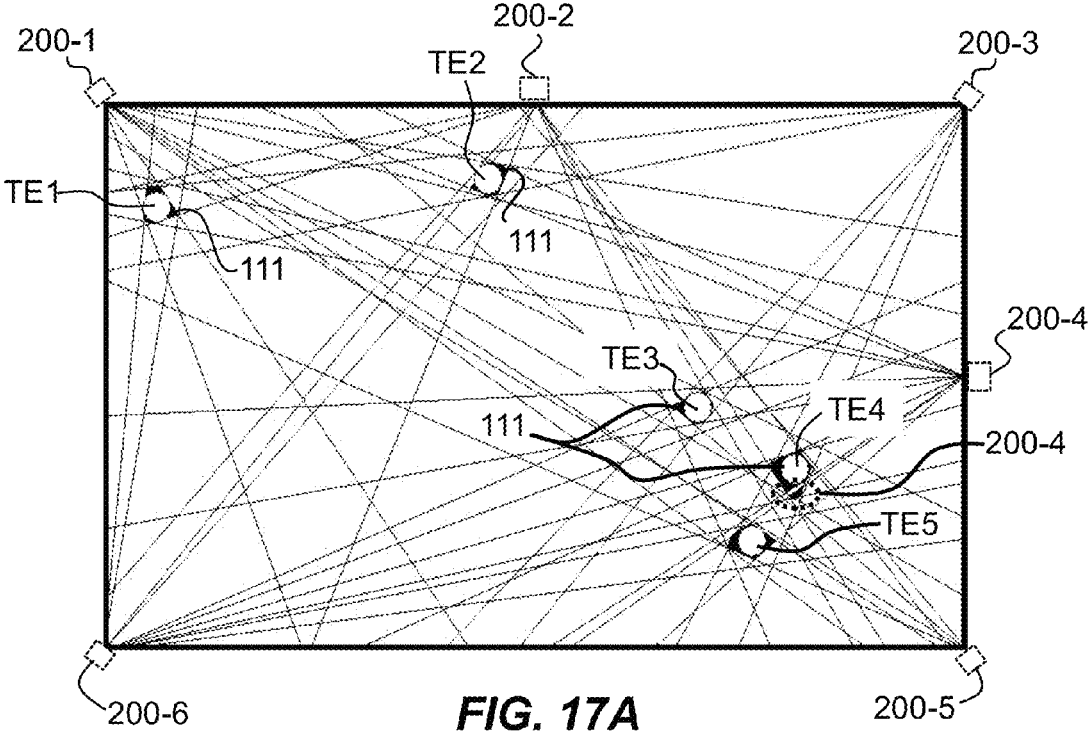


FIG. 17A

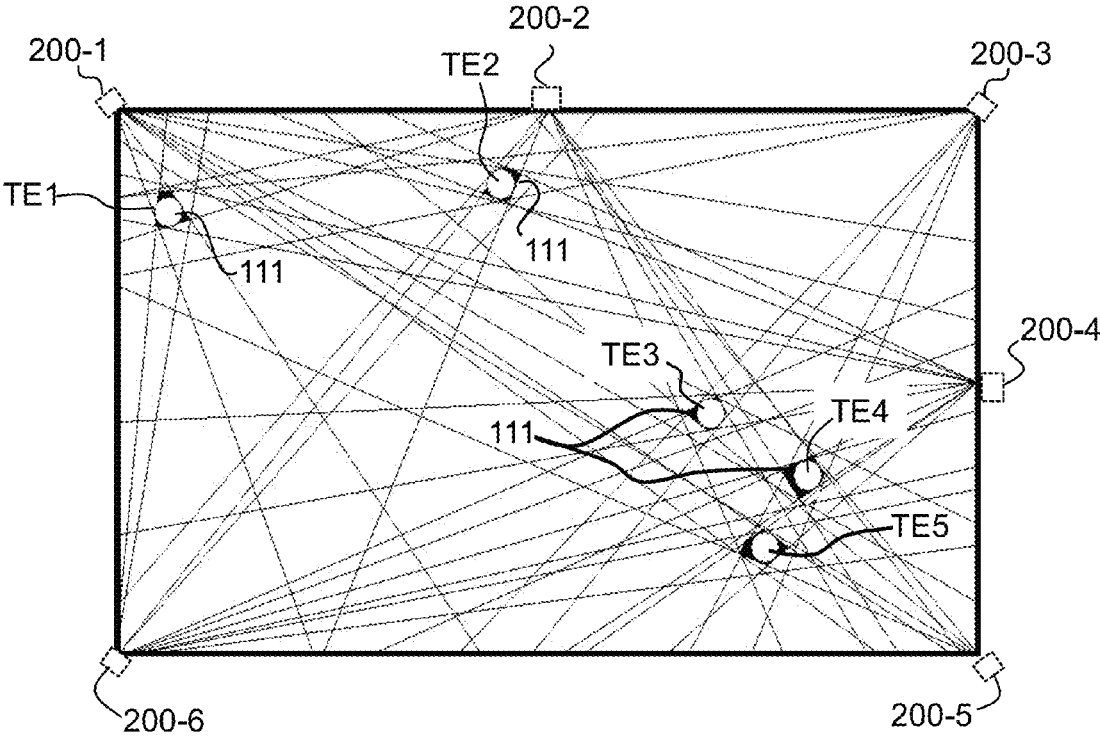


FIG. 17B

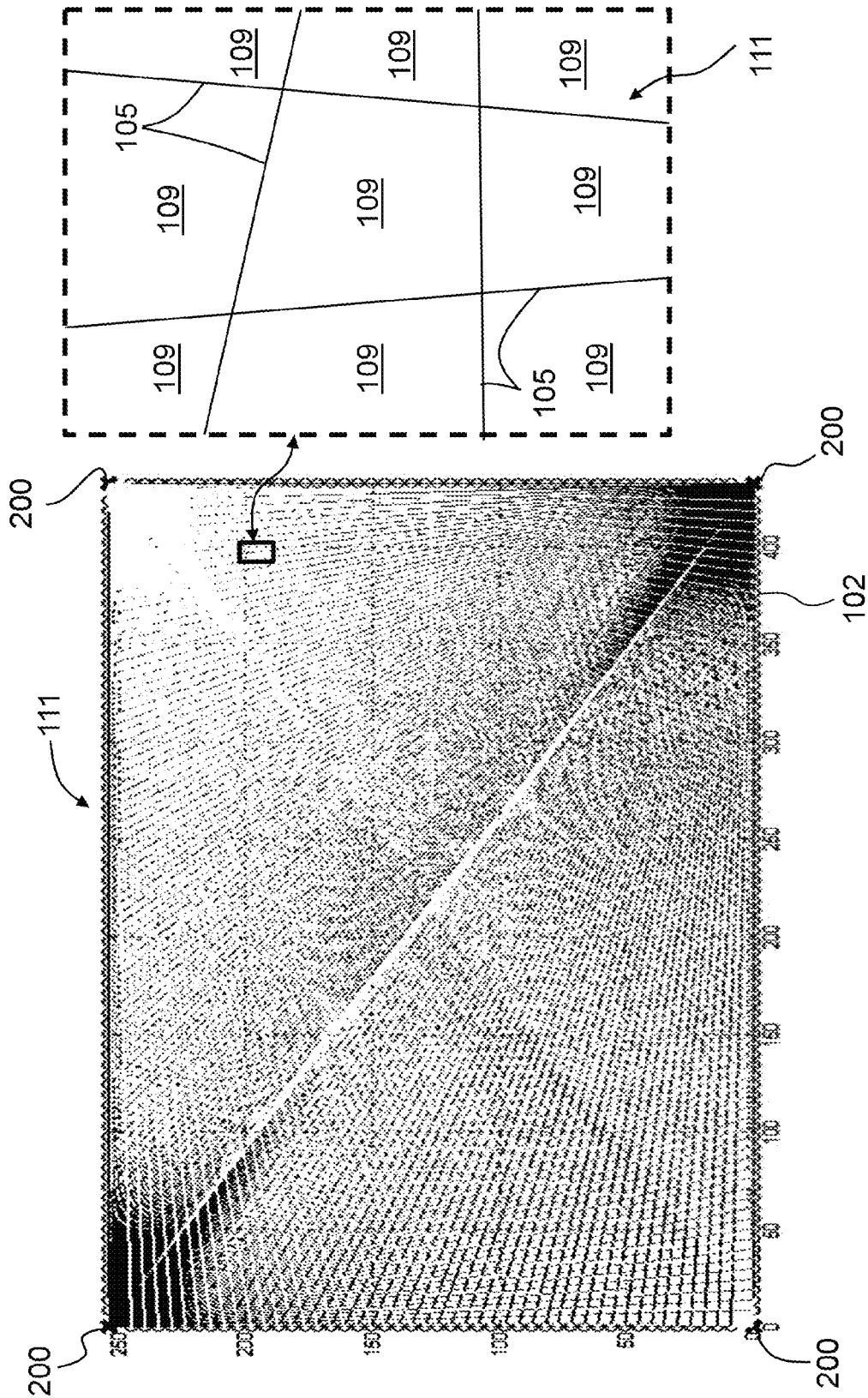


FIG. 18

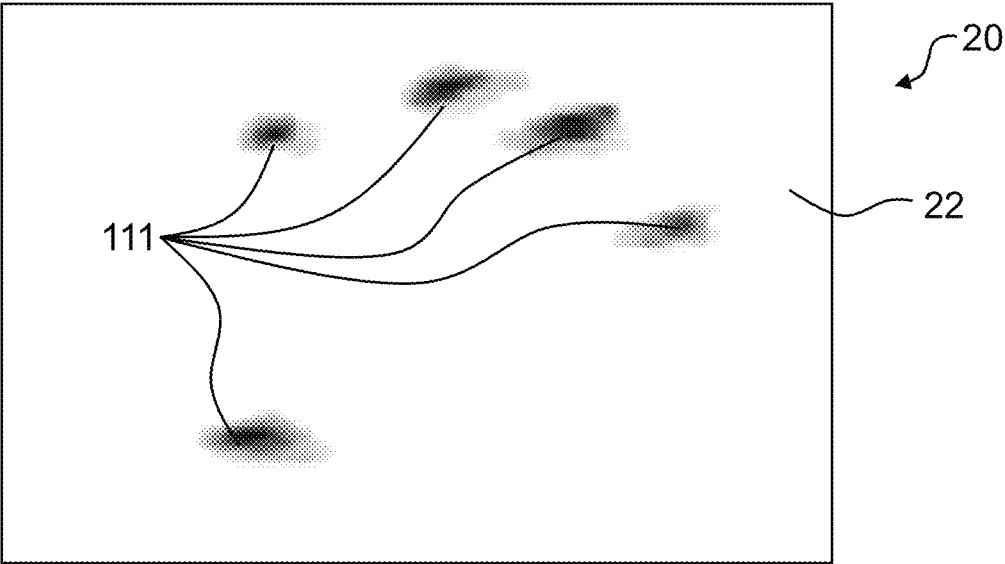


FIG. 19A

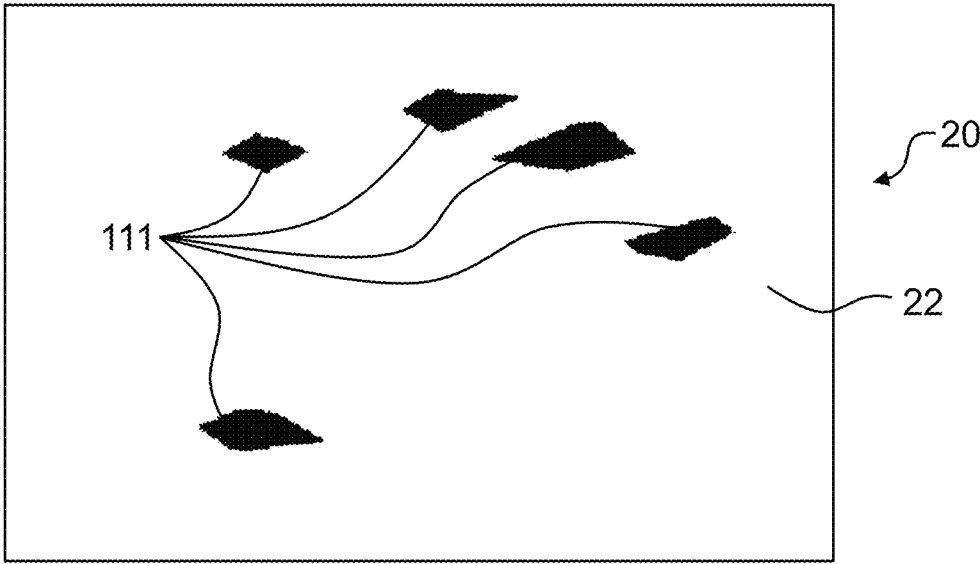


FIG. 19B

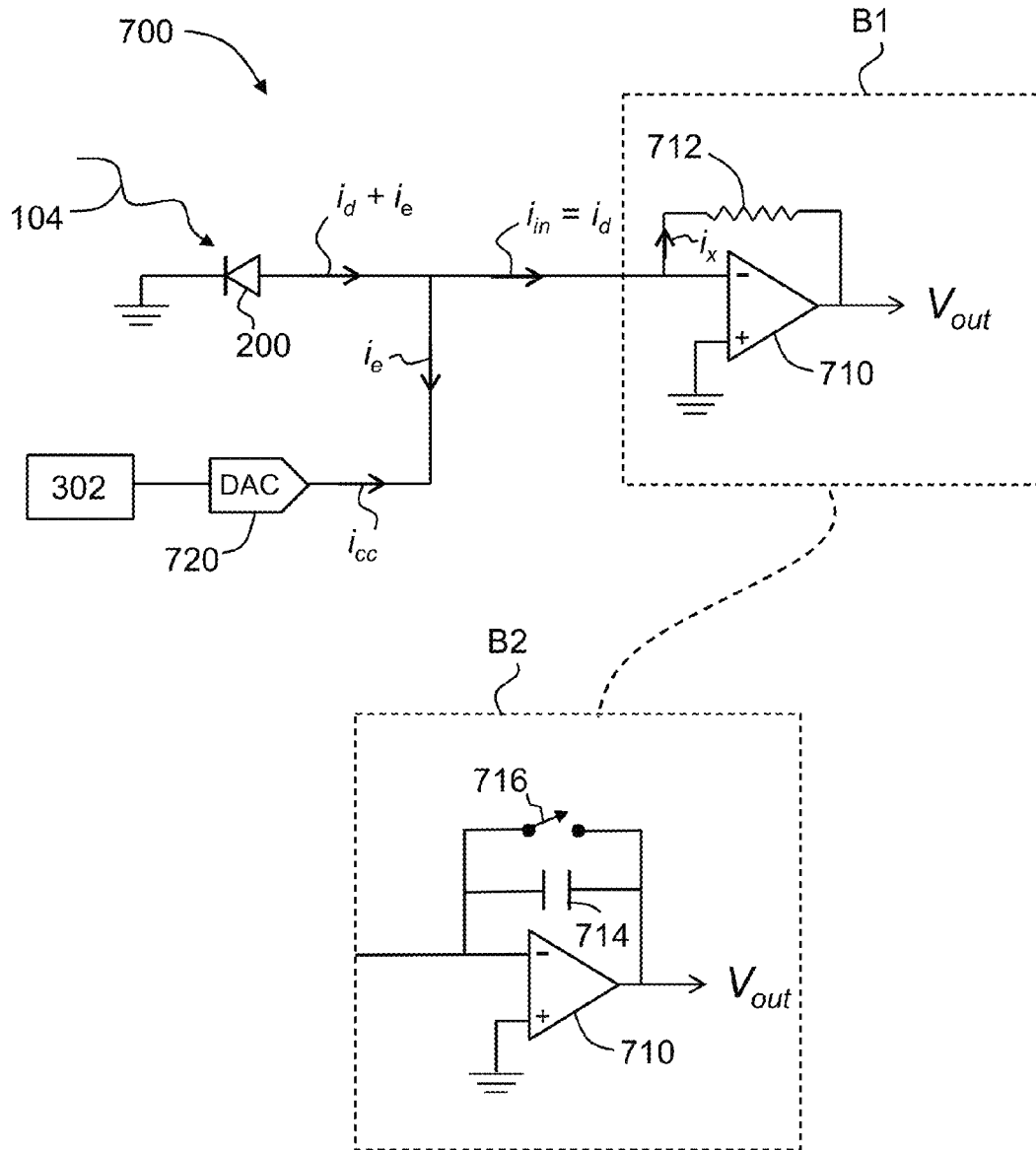


FIG. 20

1

ROBUST OPTICAL TOUCH—SCREEN SYSTEMS AND METHODS USING A PLANAR TRANSPARENT SHEET

This application claims the benefit of priority under 35 USC §119 of U.S. Provisional Application Ser. No. 61/564,024 filed Nov. 28, 2011 the content of which is relied upon and incorporated herein by reference in its entirety.

FIELD

The present disclosure relates to optical touch screens, and in particular to robust optical touch screen systems and methods that use a planar transparent sheet and that can detect multiple touch events.

BACKGROUND ART

The market for displays having touch-screen functionality is rapidly growing. As a result, a variety of sensing techniques have been developed to enable displays to have touch-screen functionality. However, the existing techniques each have some type of performance disadvantage for specific applications that results in significant added cost to the manufacturing of the display.

Touch-screen functionality is gaining wider use in mobile device applications, such as smart phones, e-book readers, laptop computers and tablet computers. In addition, larger displays, such as for desktop computers and wall-mounted screens, are getting even larger. This increase in display size is accompanied by an increase in the display cost when using a conventional touch-screen technology, such as projected capacitive touch (PCAP) technology.

Consequently, there is a need to minimize the overall thickness and weight of touch-screens for the wide range of applications, from the smallest hand-held devices to the largest displays. Moreover, there is also a need for touch-screens to have more robust functionality, such as improved touch position accuracy, fingerprint immunity and multi-touch capability.

SUMMARY

An aspect of the disclosure is a method of establishing positions of touch events on a transparent sheet having a perimeter, with light-source elements and light-sensing elements operably disposed adjacent the perimeter. The method includes using the light-sensing elements to measure intensity values of light from the light-source elements, wherein the light travels internally within the transparent sheet over lines-of-sight between the light-source elements and the light-sensing elements. The method also includes determining limiting lines-of-sight for each light-sensing element based on the intensity values as compared to an attenuation threshold. The method also includes overlapping triangles defined by the limiting lines-of-sight for each light-sensing element to establish one or more polygons. The method additionally includes determining centers of the one or more polygons to establish the touch event positions.

In some embodiments, each polygon has an associated attenuation based on the measured intensity values, and further comprising: eliminating any polygons whose associated attenuation is below the attenuation threshold. In some embodiments, the method further comprises determining the intensity of the touch event based on a comparison of the detector signal strength to a signal threshold. In some embodiments, the transparent sheet is substantially transpar-

2

ent to infrared (IR) light, and wherein the light from the light-source elements comprises an IR wavelength. In other embodiments, the IR light with a band-pass filter disposed adjacent the light-sensing elements, the band-pass filter configured to be substantially opaque to visible light and IR light having an IR wavelength different from the IR light emitted by the light-source elements. In some embodiments, the perimeter includes a plurality of corners, and including arranging the light-sensing elements one adjacent each of the plurality of corners.

In some embodiments, the method further comprises generating from the light-sensing elements respective detector signals representative of the intensity values as detected by the light-sensing elements; and processing the detector signals to determine the limiting lines-of-sight. In other embodiments, generating the detector signal includes: making a first photocurrent measurement with one of the light-sensing elements when the light-source elements are turned off; making a second photocurrent measurement with the same one of the light-sensing elements when the light-source elements are turned on; and subtracting the first photocurrent from the second photocurrent.

In some embodiments, generating the detector signal includes processing the detector signal with an electrical circuit having an amplifier, and wherein the method further includes: making integrated photocurrent measurements for a fixed total time ΔT ; breaking the fixed total time ΔT into N intervals to define N sub-measurements that have corresponding time intervals $\Delta T/N$; adding together the N sub-measurements to simulate a single integration; and dynamically choosing N to avoid overloading the amplifier.

In some embodiments, there are n light-sensing elements, and further comprising: determining a first set of the triangles for a first one of the light-sensing elements; determining a second set of the triangles for a second one of the light-sensing elements; determining a first set of the polygons from the first and second sets of triangles; determining a third set of the triangles for a third one of the light-sensing elements and establishing intersections of the third set of triangles with the first set of polygons to form a second set of the polygons; and repeating the previous step up until the n^{th} light-sensing element to arrive at a final set of polygons used in act d) to establish the touch event positions. In some embodiments, determining the centers of one or more polygons comprises for each polygon: determining attenuation values within the polygon; and calculating a center-of-mass of the polygon based on the attenuation values within the polygon and identifying the center-of-mass as the polygon center.

In some embodiments, determining the centers of one or more polygons comprises for each polygon: assuming a constant value for the attenuation within the polygon; and calculating the geometric center of the polygon as the polygon center. In some embodiments, the measured intensity values are converted to detector signal strengths by the light-sensing elements, and further comprising: establishing a baseline measurement of light traveling over the lines-of-sight; defining a threshold detector signal strength based on the baseline measurement; and comparing the detector signal strengths associated with the attenuated lines-of-sight to the threshold signal strength to determine whether the touch event occurred. In other embodiments, the method further comprises adjusting the baseline measurement based on changes in the detector signal strength; and adjusting the threshold signal strength based on the adjusted baseline measurement.

Another aspect of the disclosure is a touch-screen system for sensing a location of one or more touch events. The system has a transparent sheet with a perimeter and a top surface

where the one or more touch events occur. The system also has a plurality of light-source elements that emit light and that are operably disposed adjacent the perimeter to couple the light into the transparent sheet to travel therein via total internal reflection. The system further includes a plurality of light-sensing elements operably disposed adjacent the perimeter to detect the light from the light-sensing elements and in response thereto generate detector signals having a signal strength representative of a detected light intensity. The one or more touch events cause attenuation of the light intensity along at least one of the lines-of-sight corresponding to the select light-sensing element. The system also includes a controller operably coupled to the light-source elements and the light-sensing elements. The controller is configured to control the emission of the light from the light-source elements and process the detector signals to 1) compare the detector signal strength in each light-sensing element to an attenuation threshold to establish a one or more triangles as defined by limiting ones of the attenuated lines-of-sight for the given light-sensing element, 2) establish locations of at least one polygon formed by at least one intersection of the one or more triangles, and 3) calculate a center of the at least one polygon to define locations of corresponding one or more touch events.

It is to be understood that both the foregoing general description and the following Detailed Description represent embodiments of the disclosure, and are intended to provide an overview or framework for understanding the nature and character of the disclosure as it is claimed. The accompanying drawings are included to provide a further understanding of the disclosure, and are incorporated into and constitute a part of this specification. The drawings illustrate various embodiments of the disclosure and together with the description serve to explain the principles and operations of the disclosure.

In some embodiments, the controller is further configured to determine the intensity of the touch event based on a comparison of the detector signal strength to a signal threshold. In some embodiments, the transparent sheet is substantially transparent to infrared (IR) light, wherein the emitted light from the light sources comprises IR light, and wherein the light-sensing elements are configured to detect the IR light. In some embodiments, the perimeter includes a plurality of corners, and wherein the light-sensing elements are disposed one adjacent each of the plurality of corners. In some embodiments, the system further comprises band-pass filters disposed one adjacent each of the light-sensing elements, the band-pass filters each configured to be substantially opaque to visible light and IR light having an IR wavelength different from the IR light emitted by the light-source elements. In some embodiments, the system further comprises an electrical circuit operably coupled to one of the light-sensing elements, the electrical circuit being configured to provide a compensating current that reduces or eliminates an interfering current that arises due to interfering illumination. In some embodiments, the electrical circuit includes a digital-to-analog converter operably connected to a processor that provides a feedback control signal thereto to vary the compensating current.

Additional features and advantages of the disclosure are set forth in the detailed description that follows, and in part will be readily apparent to those skilled in the art from that description or recognized by practicing the disclosure as described herein, including the detailed description that follows, the claims, and the appended drawings. The claims are incorporated into and constitute part of the Detailed Description set forth below.

BRIEF DESCRIPTION OF THE DRAWINGS

FIG. 1 is a face-on view of an example touch-screen system according to the disclosure;

FIG. 2 is a cross-sectional view of the transparent sheet of the touch-screen system;

FIG. 3 is a close-up, top-down view of a corner of the transparent sheet, and includes a close-up inset illustrating an example where the corner is beveled and wherein a light-sensing element (shown in phantom) is disposed adjacent the beveled corner;

FIG. 4 is a more detailed face-on view of the example touch-screen system of FIG. 1, and shows example lines-of-sight associated with one of the light-sensing elements;

FIG. 5 is a close-up cross-sectional view of the transparent sheet at an edge 26, showing an example of how a light-source element is edge-coupled to the transparent sheet;

FIG. 6A is similar to FIG. 5 and shows an example where the light-source element is face-coupled to the transparent sheet at the bottom surface, and also shows a bezel disposed on the top surface to block the light-source element from view from above;

FIG. 6B is similar to FIG. 6A and shows an example where the bezel is transparent to infrared (IR) radiation but opaque to visible radiation, with the bezel disposed between the light-source element and the bottom of the transparent sheet;

FIG. 7 is a face-on view of the transparent sheet, the light source elements and light-sensing elements of the touch screen system, illustrating a step in the method of determining the position of a touch event by measuring the attenuation (blocking) of fans of light rays as measured by the light-sensing elements;

FIG. 8 is similar to FIG. 7 and illustrates a step in the method of determining the position of a touch event by forming centerlines associated with the light ray fans (i.e., the lines-of-sight) and determining the intersections of the centerlines;

FIG. 9 is similar to FIG. 7 and shows a case consisting of two touch events;

FIG. 10 is similar to FIG. 9 and shows the various centerlines associated with the light ray fans (lines-of-sight) of FIG. 9 for the two touch events;

FIG. 11 is a representative plot of the signal strength of the (processed) detector signal (relative units) vs. time (microseconds), based on data obtained from measurements made in an example touch-screen system, for the measured signal A (solid line), the baseline signal A_0 (dotted line) and the threshold T (dashed line);

FIG. 12 is a schematic elevated view of an example touch-sensitive display formed by operably arranging the touch-screen system atop a conventional display unit;

FIG. 13 is an exploded elevated view of an example touch-sensitive display that shows more detail than FIG. 12;

FIG. 14A is a schematic cross-sectional, partial exploded view of an example touch-sensitive display illustrating an example of how to integrate the touch-screen system with a conventional display unit;

FIG. 14B is similar to FIG. 14A and shows the touch-screen system operably disposed atop the integrated display assembly of the conventional display unit;

FIG. 15A is a close-up partial cross-sectional view of an example configuration for a touch-sensitive display that is useful for reducing the adverse effects of ambient light;

FIG. 15B is similar to FIG. 15A and illustrates an example touch-sensitive display having a thinner configuration than that of FIG. 15A;

5

FIG. 15C is similar to FIG. 15B and illustrates an example embodiment where light-sensing element 200 is disposed so that it faces upside-down;

FIG. 15D is similar to FIG. 15C and illustrates an example embodiment where light-sensing element 200 is disposed adjacent an angled facet 527 of slab waveguide 520 at a detector angle ψ , relative to the horizontal;

FIG. 16A is similar to FIG. 9 and highlights (using darker lines) one example triangle formed by the limiting lines-of-sight;

FIG. 16B is similar to FIG. 16A, but with most of the non-touch polygons removed;

FIG. 17A shows the polygons for an example touch-screen system having six light-sensing elements, wherein only one small polygon (dotted-line oval) remains that represents a false touch;

FIG. 17B is similar to FIG. 17A, except that the one small polygon identified by the dotted-line oval FIG. 17A as a non-touch polygon has been eliminated based on its small attenuation value;

FIG. 18 is a schematic diagram illustrating the mesh formed by all of the lines-of-sight as defined by the light-sensing elements and light-source elements, with the close-up inset showing how a pixel is defined within the mesh;

FIG. 19A is a computer image of the transparent screen showing the locations of the polygons as determined by the SART algorithm based on the raw measurement data;

FIG. 19B is similar to FIG. 19A and shows the SART results for the bound-polygon embodiment of the method; and

FIG. 20 is a schematic diagram of an example electrical circuit configured to reduce the adverse effects of interfering illumination through the use of current injection.

Additional features and advantages of the disclosure are set forth in the Detailed Description that follows and will be apparent to those skilled in the art from the description or recognized by practicing the disclosure as described herein, together with the claims and appended drawings.

Cartesian coordinates are shown in certain of the Figures for the sake of reference and are not intended as limiting with respect to direction or orientation.

DETAILED DESCRIPTION

FIG. 1 is a schematic diagram of an example touch-screen system 10 according to the disclosure. The touch-screen system 10 may be used in a variety of consumer electronic articles, for example, in conjunction with displays for cell-phones and other electronic devices capable of wireless communication, music players, notebook computers, mobile devices, game controllers, computer "mice," electronic book readers and the like.

The touch-screen system 10 includes a transparent sheet 20, with light sources 100 and light-sensing elements 200 disposed adjacent the transparent sheet perimeter as discussed below. An optional bezel 40 serves to cover light sources 100 and light-sensing elements 200 so that they cannot be seen from above by a viewer. The term "bezel" is used broadly herein to mean any light-blocking member, film, component, etc., that serves to block at least visible light and that is configured to keep some portion of touch-screen system 10 from being viewed by a user 500 (see FIG. 14B). Thus, the term "bezel" as used herein is not limited to being a member located at the edge of the transparent sheet like a conventional mechanical bezel used for wristwatches, etc.

The touch-screen system 10 includes a controller 300 that is operably connected to light sources 100 and light-sensing

6

elements 200 (e.g., via a bus 301) and configured to control the operation of touch-screen system 10. The controller 300 includes a processor 302, a device driver 304 and interface circuit 306, as described in greater detail below. In an example, light-sensing elements 200 comprise photodiodes.

FIG. 2 is a cross-sectional view of transparent sheet 20, and FIG. 3 is a close-up, top-down view of the corner of the transparent sheet. The transparent sheet 20 includes a bulk portion or body 21, a top surface 22, a bottom surface 24 and at least one edge 26 that defines a perimeter 27. An example transparent sheet 20 is generally rectangular and includes four edges 26 that define four corners 28, and this example of the transparent sheet is used in the discussion below by way of illustration. Other shapes for transparent sheet 20 may be used, such a circular.

The close-up inset in FIG. 3 illustrates an example embodiment where one of the corners 28 is beveled, and shows in phantom one of the light-sensing elements 200 operably disposed adjacent the beveled corner. Also shown in phantom in the close-up inset is light 104 traveling over a line-of-sight 105, as described below.

The transparent sheet 20 has a thickness TH, which is substantially uniform (i.e., top and bottom surfaces 22 and 24 are substantially parallel). In an example, transparent sheet 20 is rectangular and has a dimension (length) LX in the X-direction and a length LY in the Y-direction, and so has four corners 28 defined by four edges 26. Generally, transparent sheet 20 can have a shape wherein edges 26 define multiple corners 28 (e.g., six corners for a hexagonal shape).

The transparent sheet 20 may generally be made of any suitably transparent material that can be formed into a thin planar sheet, such as plastic, acrylic, glass, etc., and that supports the transmission of light within its body 21 without substantial loss due to scattering or absorption. In an embodiment, transparent sheet 20 may be a chemically strengthened glass, such as a soda-lime-type glass. An example glass for transparent sheet 20 is an alkali aluminosilicate glass hardened through ion exchange. These types of glass can comprise Na₂O (soda), CaO (lime) and SiO₂ (silica), but can also include oxides such as MgO, Li₂O, K₂O, ZnO, and ZrO₂. Once hardened through ion exchange, these types of glass exhibit certain characteristics that make them desirable for touch screen applications, as well as other applications (e.g., as a cover glass). Further details as to the formulation or production, or both, of soda-lime-type glass suitable for use as transparent sheet 20 may be found in one or more of U.S. patent application Ser. No. 11/888,213 filed Jul. 31, 2007; U.S. patent application Ser. No. 12/537,393 filed Aug. 7, 2009; U.S. patent application Ser. No. 12/545,475 filed Aug. 21, 2009; and U.S. patent application Ser. No. 12/392,577 filed Feb. 25, 2009, which patent applications are incorporated by reference herein. An exemplary glass for transparent sheet 20 is Gorilla® glass, from Corning, Inc., Corning, N.Y. Also, an exemplary glass, such as low-iron Gorilla® glass or other low-iron ion-exchanged glass, is transparent to IR-wavelength light 104.

FIG. 4 is a schematic diagram of a touch-screen system 10 that is similar to that of FIG. 1 but that shows more details of the system and omits bezel 40 for ease of illustration. The light sources 100 are actually light source arrays that include light-source elements 102 shown operably disposed adjacent perimeter 27 of transparent sheet 20. An example light-source element 102 is a light-emitting diode (LED). Also in an embodiment, light-source elements 102 each emit light 104 at an IR wavelength, such as between 850 nm and 950 nm. In the

discussion below, light **104** is also referred to as “light ray” **104** or “light rays” or “light beam” **104** or “light beams” **104** where appropriate.

FIG. 4 shows example lines-of-sight **105** between one of the light-source elements **102** and the corresponding example light-sensing elements **200**. Note that in the example of a rectangular transparent sheet **20**, each light-source element **102** has lines-of-sight **105** with the two light-sensing elements **200** on corners **28** of the opposite edge **26**. Thus, for the rectangular configuration of transparent sheet **20**, light **104** from each light-source element **102** is incident upon two light-sensing elements **200** along respective lines-of-sight **105**.

In an example, light-source elements **102** are operably mounted on flex-circuit boards (“flex circuits”) **110**, which in turn are mounted to printed circuit boards (PCB) **112** associated with each edge **26** of transparent sheet **20**. In an embodiment, light-source elements **102** are edge-coupled to transparent sheet **20** at edges **26**, as discussed in greater detail below. Flex circuits **110** and PCBs **112** are shown in FIG. 4 as being oriented in a plane parallel to transparent sheet **20** by way of example. The flex circuits **110** and PCBs **112** can also be oriented in a plane perpendicular to transparent sheet **20**.

In the general operation of touch-screen system **10**, processor **302** drives the sequential activation of light-source elements **102** and also controls the detection of light **104** at light-sensing elements **200** for each light-source activation. The light-sensing elements **200** generate an electrical detector signal SD in response to detecting light **104**, wherein the strength of the detector signal is representative of the intensity of the detected light for the particular line-of-sight **105** over which the light travels. Thus, each line-of-sight **105** can be considered as an optical path that has associated therewith a certain light intensity. Portions of the interface circuit **306** can be placed near the light-sensing elements **200**. For example, preamplifiers and analog-to-digital converters may be placed near light-sensing elements **200** to eliminate noise that may be induced in long wires between processor **302** and the light-sensing elements **200**, particularly when the processor is centrally located.

In an example, processor **302** controls the light emission and detection process to optimize the detection of light **104**, e.g., by providing a characteristic (e.g., a modulation) to the light **104** from the light-source elements **102**, or by gating light-sensing elements **200** to reduce noise, etc., or both.

FIG. 5 is a close-up cross-sectional view of transparent sheet **20** at one of the edges **26**, showing an example of how a light-source element **102** is optically coupled to the transparent sheet. In the example of FIG. 5, light-source element **102** is edge-coupled to edge **26** of transparent sheet **20** using, for example, a glue or adhesive **103**. Note also that FIG. 5 illustrates an example embodiment wherein flex circuit **110** and PCB **112** are arranged perpendicular to the plane of transparent sheet **20**. In an example, glue or adhesive **103** is index matched to the refractive index of transparent sheet **20**.

When a given light-source element **102** is activated, it emits light **104** (light rays) that travels into body **21** of transparent sheet **20**. The portion of light **104** that has an angle beyond a critical internal reflection angle θ_c (see FIG. 5) of transparent sheet **20** remains trapped in transparent sheet body **21** via total internal reflection and travels therein. If the travel of internally reflected light **104** remains uninterrupted, it will travel over the length of its line-of-sight **105** and arrive at the corresponding light-sensing element **200**. The light-sensing elements **200** are configured to convert the detected light **104** in the aforementioned electrical detector signal SD, which in an example is a photocurrent. The electrical detector signal SD is

then sent to processor **302** for processing, as described below. Thus, transparent sheet **20** acts as an optical waveguide that supports a larger number of guided modes, i.e., light rays **104** that travel within the transparent sheet over a wide range of an internal reflection angle θ beyond critical internal reflection angle θ_c .

FIG. 6A is similar to FIG. 5 and illustrates an alternative embodiment wherein light-source element **102** is disposed adjacent bottom surface **24** of transparent sheet **20** and is optically coupled thereto. This face-coupling configuration offers several advantages over the edge-coupling configuration, including simpler manufacturing, no bezel requirement, and increased touch sensitivity. When light **104** is launched into transparent sheet **20**, multiple modes propagate at different bounce angles as discussed above in connection with the edge-coupling configuration. The edge-coupling configuration is more likely to generate modes at low bounce angles, while the surface-coupling configuration generates modes at higher bounce angles. Light rays **104** with higher bounce angles provide increased touch sensitivity because they strike top surface **22** more frequently, thereby providing a greater opportunity to interact with a touch event TE.

To keep light-source elements **102** from being seen through transparent sheet **20** by user **500**, bezel **40** can be employed. In an example, bezel **40** is in the form of a film that is opaque at least at visible wavelengths and that optionally transmits at IR wavelengths. An example film for bezel **40** comprises a black paint that absorbs light over a wide range of wavelengths including the visible and IR wavelengths. In another example illustrated in FIG. 6B, bezel **40** can be disposed between light-source element **102** and bottom surface **24** of transparent sheet **20**, in which case the bezel needs to be substantially transparent to the wavelength of the light-emitting element. In this case, a convenient wavelength of light **104** is an IR wavelength.

Modeling indicates that about 28% of light **104** outputted by light-source element **102** can be trapped within transparent sheet **20** using the face-coupling configuration of FIG. 6, as compared to about 80% for the edge-coupling configuration of FIG. 5.

With continuing reference to FIG. 5 and FIGS. 6A and 6B, when a touch event TE occurs, such as when a person’s finger F touches top surface **22** of transparent sheet **20**, it changes the total internal reflection condition. This causes light **104** to be scattered out of transparent sheet body **21** as scattered light **104S** at the point (or more accurately, over the small area) where top surface **22** is touched, thereby attenuating light beam **104**. The reduction in the intensity of light **104** arriving at the corresponding light-sensing elements **200** for the corresponding lines-of-sight **105** gives rise to a diminished signal strength (e.g., a reduced photocurrent) for electrical detector signal SD (as compared to, say, a baseline photocurrent measurement), and indicates that a touch event TE has occurred. A threshold value T for the measured electrical detector signal SD can be used to determine whether a touch event TE has occurred, as discussed in greater detail below.

FIG. 7 is a face-on view of transparent sheet **20**, light-source elements **102** and light-sensing elements **200**, illustrating how the occurrence and location of a touch event TE are determined. As discussed above, light **104** from a given light-source element **102** has a line-of-sight **105** to the light-sensing elements **200** located opposite the light-source element (i.e., not associated with the corners **28** of the same edge **26**). FIG. 7 shows the limiting light beams **104-1**, **104-2**, **104-3** and **104-4** and the corresponding attenuated or “broken” light beams **104-B1**, **104B2**, **104B3** and **104-B4** that define respective lines-of-sight **105-1**, **105-2**, **105-3** and

105-4 for light-sensing elements **200-1**, **200-2**, **200-3** and **200-4** based on an example touch event TE. An accurate position of touch event TE is determined using the algorithm described below.

The position resolution of touch event TE is determined by the density of light-source elements **102** at the edges **26** of transparent sheet **20**, which in turn defines the density of the lines-of-sight **105**. Consider an example configuration of touch-screen system **10** where transparent sheet **20** has length LX=432 mm and length LY=254 mm, with 252 light-source elements **102** distributed about edges **26**, with 80 of the light-source elements along the long edges and 46 of the light-source elements along the short edges. For a touch event TE having a circular size of 10 mm in diameter (which is about the size of a finger touch), a pitch for light-source elements **102** of 5.25 mm ensures that the touch event TE would break at least one light beam **104**, i.e., would intercept at least one line-of-sight **105**.

The controller **300** is configured to provide the functionality necessary to activate light-source elements **102** so that they emit light **104** in a select manner. The controller **300** is also configured to receive and process electrical detector signals SD from light-sensing elements **200** to determine the one or more positions on top surface **22** of transparent sheet **20** at which a touch event TE occurs.

In particular, with reference again to FIG. 4, controller **300** includes the aforementioned processor **302** (e.g., a microprocessor), the aforementioned device driver (driver circuit) **304**, and the aforementioned interface circuit **306**. The processor **302** is coupled to driver circuit **304** and interface circuit **306** via signal lines, buses, or the like. The processor **302** is configured to execute computer readable code (software programs) that controls and orchestrates the activities of driver circuit **304** and interface circuit **306** to achieve the aforementioned functions and operations and to carry out various calculations for the methods described herein. For example, processor **302** may provide control signals (not shown) to driver circuit **304** indicating when to activate and de-activate (i.e., turn on and turn off) the respective light-source elements **102** as well as light-sensing elements **200**.

The interface circuit **306** receives electrical detector signals SD from the light-sensing elements **200** and processes these signals so that they may be input into processor **302**. For example, when light-sensing elements **200** comprise photodiodes, interface circuit **306** may provide appropriate biasing conditions to the photodiodes such that they are able to properly sense light **104**. In this regard, interface circuit **306** may be configured to cause certain light-sensing elements **200** to be active and others inactive during particular intervals of time.

The interface circuit **306** may also be configured (e.g., with an integrate-and-dump circuit, not shown) to process analog electrical detector signals SD (e.g., an analog photocurrent) from the photodiodes and convert same to a digital format for processor **302**. This configuration improves the signal-to-noise ratio. Two example options for electrically connecting light-source elements **102** and light-sensing elements **200** to controller **300** are a daisy-chain using a bus such as an I²C (two-wire interface) or home runs from the controller to each individual light-sensing element. The former option simplifies wiring while the latter improves performance.

The controller **300** is electrically connected to light-source elements **102** and light-sensing elements **200** via a suitable electrical connection such as the aforementioned bus **301** bus or like electrical cable. In an example, some portion of controller **300** resides on PCBs **112**.

The processor **302** may be implemented utilizing suitable hardware, such as standard digital circuitry, any of the known processors that are operable for executing software and/or firmware programs, or one or more programmable digital devices or systems, such as programmable read only memories (PROMs), programmable array logic devices (PALs), etc. An exemplary processor **302** is a PIC microprocessor, available from Microchip Technology, Inc., Chandler, Ariz.

Furthermore, although controller **300** is shown as being partitioned into certain functional blocks (namely, processor **302**, driver **304**, and interface **306**), such blocks may be implemented by way of separate circuitry and/or combined into one or more functional units. The processor **302** may execute different software programs to carry out different techniques for computing the one or more positions of one or more touch events TE based on the methods described below.

As discussed above, controller **300** is configured to coordinate the activation of light-source elements **102** and the detection of light **104** by select light-sensing elements **200**.

An example method of activating light-source elements **102** is the chase method wherein the light-source elements are activated sequentially around the perimeter in a given direction. However, different methods and sequences of activating light-source elements **102** can be employed. For example, if no touch event TE has been sensed after a select amount of time, then the sequencing might drop into a low-power state in which light-source elements **102** are activated less frequently or in a different order (say, odd-numbered light-source elements only). The light-source elements **102** can also be activated at a higher frequency in some cases, e.g., when a touch event TE is first detected, to improve the resolution in determining the position of the touch event.

Single Touch-Event Method

An aspect of the disclosure includes a method of determining a position for a single touch event TE on touch-screen system **10**. A first step in the method includes activating each light-source element **102** to generate a corresponding light beam **104**. This first step also includes measuring the light-beam intensities at the corresponding light-sensing elements **200** to obtain a baseline measurement of all of the light-beam intensities for the corresponding light-sensing elements. The baseline measurement intensities are represented by the baseline signal strengths of electrical detector signals SD. This baseline measurement allows for a comparison of the baseline intensities of light beams **104** to the touch-event light-beam intensities to establish whether a touch event TE has occurred and where it occurred. An example method of performing this baseline measurement step is discussed below.

The simplest touch position sensing method is based on a triangulation of interrupted (i.e., attenuated) light beams **104** due to touch event TE. In this method, if the attenuation along light-of-sight **105** between a given light-source element **102** and a given light-sensing element **200** due to touch event TE exceeds a predetermined threshold, then that light beam (or, equivalently that line-of-sight) is labeled as being attenuated, interrupted or "broken," as indicated in FIG. 7 by broken light beams **104-B**, namely light beams **104-B1**, **104-B2**, **104-B3** and **104-B4**. In FIG. 7, for ease of illustration, only a limited number of broken light beams **104-B** are shown.

A second step in the method is to replace the fan of broken light beams **104-B** with a single central line **104C** taken along the center of each fan of the broken light beams. Because there are four light-sensing elements **200**, there are four central lines **104C** (namely **104-C1** through **104-C4**), as shown in FIG. 8.

A third step includes computing the locations of intersections **109** of central lines **104C**. For ease of illustration, only

some of the intersections **109** are labeled. Due to the limited angular resolution, the central lines **104C** will not all intersect at a single point. Rather, the four central lines **104C** generally produce a cluster of up to six intersections **109** that have (x,y) positions near the true center of touch event TE. Thus, a fourth step includes averaging the (x,y) coordinates of central-line intersections **109** to give a final estimate (x',y') of the position of touch event TE.

Generally, if t is the number of touch events TE and p is the number of light-sensing elements **200**, the maximum number N_M of central-line intersections for the t touch events is $N_M = t^2 p(p-1)/2$. For a single touch event TE, t=1 and $N_M = t^2 p(p-1)/2$. It is noted that the particular example of touch-screen system **10** under consideration has a single touch event TE and four light-sensing elements **200**, which yields a maximum of six central-line intersections. Thus, if the actual number N_A of central-line intersections exceeds the maximum number N_M , it is an indication that there are multiple touch events than the t touch events assumed.

For example, for a single touch event (t=1) and four light-sensing elements (p=4), if $N_A > 6$, then multiple touch events TE have occurred. Thus, an aspect of the methods disclosed herein includes calculating the maximum number N_M of central-line intersections for the t touch events, measuring the actual number N_A of central-line touch events, and comparing the values of N_M and N_A , where $N_A > N_M$ indicates more than t touch events.

This method is particularly useful in the case of discerning whether the number of touch events TE is either one or greater than one, i.e., by measuring a number N_A of actual central line intersections and comparing N_A to the value of N_M associated with a single touch event to determine whether the actual number of touch events TE is greater than one.

Simulations were carried out to compare the actual touch position to the calculated touch position (x',y') to determine the amount of error for the example touch screen parameters set forth above. The simulations indicated the error to be about 0.98 mm, which is much smaller than the example 5.25 mm pitch of light-source elements **102**. By testing a number of random points, the worst-case position error was found to be about 3 mm, with the typical error being less than 1 mm.

Method for Two Touch Events

The above-described method works very well for a single touch event TE and can be extended to apply to two touch events. This two-touch-event method is now described.

FIG. 9 is similar to FIG. 7 and illustrates the fans of light rays **104** associated with two touch events TE1 and TE2, with just the limiting rays **104-1** through **104-4** shown for ease of illustration. FIG. 10 is similar to FIG. 9, and shows the central lines **104C** based on the fans of light rays **104** of FIG. 9. As can be seen in FIG. 10, with two touch events TE1 and TE2, many of the intersections **109** of central lines **104C** are not near the true touch event positions. However, it is also observed that the central-line intersections **109** tend to cluster near the positions of touch-events TE1 and TE2. This characteristic of the trajectories of central lines **104C** is exploited to calculate the positions (x', y') and (x', y') of the two touch events TE1 and TE2.

Thus, in one embodiment, the intersection coordinates (x₁, y₁), (x₂, y₂), etc. of all of the central-line intersections **109** are calculated in much the same manner as the case involving a single touch event TE. If four light-sensing elements **200** are employed, the maximum number N_B of beam intersections is 6 (see above formula for N_B) for a given touch event. Thus, if the number of beam intersections measured is greater than six, then it is concluded that there are at least two touch events TE1 and TE2.

For multiple touch events, the next step in the method includes looking for clusters of central-line intersections **109** because the spurious intersections tend to lie at relatively large distance from the actual positions of the touch events. Again, due to the discrete angular resolution of touch-screen system **10**, it is expected that there will be some spread in the central-line intersections **109** associated with the corresponding touch events TE1 and TE2. One way to increase the sensitivity to touch events is to increase the number of light-sensing elements **200**. In an example, at least one light-sensing element is arranged along edge **26** mid-way between the adjacent corners **28** to increase the measurement sensitivity for multiple touch events that can occur along the diagonal of transparent sheet **20**.

In an example, the requirement for determining that a valid touch event TE has occurred is defined as a minimum number M of central-line intersections **109** that are all within a certain distance tolerance D. An example requirement might be that there be at least M=3 intersections **109** within a circle having a radius D=4 mm. The distance tolerance D and minimum number M of intersections **109** can be selected to optimize the results for establishing the validity of touch event TE. In an example, there may be Q intersections **109** within distance tolerance D, where $Q \geq M$.

In a next step, the method includes averaging the (x₁, y₁), (x₂, y₂), etc. coordinates of the $Q \geq M$ intersection clusters to arrive at the calculated positions (x', y') and (x', y') for touch events TE1 and TE2, respectively. As in the single-touch method, in an example the calculated accuracy of the position of touch event TE1 or TE2 can be on the order of a few mm.

The above-described algorithm for multiple touch events TE generally works for two touches but is susceptible to spurious touch results for certain touch-event positions, particularly when the touch event lies near the screen diagonals. This shortcoming is mitigated by tightening the aforementioned central-line intersection requirements, e.g., requiring a greater number M of central-line intersections **109** for a given distance tolerance D.

Example Baseline Measurement Method

As discussed above, one step in the method of determining the position of a touch event TE (or the positions of two touch events TE1 and TE2) includes first performing a baseline measurement of the detector signal strengths when there is no touch event. An example method of carrying out the baseline measurement is now discussed.

The example baseline measurement method provides an estimate for the non-attenuated intensity of each light beam **104** from each light-source element **102** in touch-screen system **10** using light-sensing elements **200**. If the estimated detector signal strength associated with detecting an unattenuated light beam **104** with light-sensing element **200** has an amplitude $A_0(t)$ in arbitrary units of strength (e.g., photocurrent in mA), then the generalized current measurement $A(t)$ can be corrected on the fly to give an estimated light-beam transmission function $G(t)$ varying from 0 to 1 for each light beam. For all p light-elements, $G(t) \rightarrow G(p,t)$.

Assuming some knowledge about the average noise of the intensity measurement using light-sensing elements **200**, a reasonable detection threshold value T can be defined. For example, if N_B light beams **104** are measured every second, and the detection of a false touch-event cannot occur with a frequency of more than once per K seconds, then the probability of a false touch event can be given by $1/(N_B K)$. If each transmission measurement $G(p,t)$ has a variance σ^2 , then the detection threshold T can be set to $T = G(p,t) = 1 - z\sigma$, where z is the number of standard deviations as defined by the recursive

relationship $\text{erf}(z/\sqrt{2})=(NK-1)/NK$, where “erf” is the error function and “ $\sqrt{2}$ ” is the square root of 2.

Table 1 below shows example values for z as a function of the mean time to false touch (MTFT) detection for an example touch-screen system **10** having 256 light beams **104** running at 50 Hz, which gives $N_bK=(256)(50 \text{ Hz})=12,800$. Example touch-screen systems **10** made by the inventors to show proof of principle used switched integrators and had signal-to-noise ratios (SNRs) on the order of 100, resulting in a detection threshold with $z=5$, and a touch-screen sensitivity of 5%. This detection threshold can be eased by defining a touch event TE as one that requires two or more light beams to be simultaneously broken.

TABLE 1

MTFT	z
1 second	3.95
10 seconds	4.47
100 seconds	4.93
1,000 seconds	5.37

Once the normalized transmission $G(t)$ is established, then the method includes defining two detection states, namely, an idle state (“IDLE”) defined as $G(t) \geq T=1-\sigma z$ and a touched state (“TOUCHED”) defined as $G(t) < T=1-\sigma z$. During IDLE times, the deviation of the new samples from $G(t)$ are accumulated and the standard deviation σ is calculated in a straightforward fashion. This calculated standard deviation σ is then used to refine the detection threshold value T under varying illumination levels and various light beam intensities and SNRs.

The baseline measurement method can be performed in touch-screen system **10** using the following example algorithm, in which a mean deviation s rather than an RMS deviation σ is used. Also, a noise multiplier is chosen empirically to reduce false triggering to an acceptable value. The algorithm operates independently and in parallel on each light beam **104**. In the algorithm described immediately below, the tracking step Δ is the amount by which the baseline estimate is changed based on the actual measured signal. The smoothing factor ϵ is used to smooth out signal variations (see step 7, below).

1. Start with a tracking step Δ , a smoothing factor ϵ , a noise multiplying factor z , reasonable starting estimates of the baseline amplitude A_0 and a mean channel noise s .
2. Measure the signal amplitude A for a given light beam **104** for a given line-of-sight **105**.
3. If the measured signal amplitude A is above the baseline estimate A_0 , then set the baseline estimate to the current input signal, causing A_0 to track the upper end of a two-sided noise distribution.
4. If the measured signal amplitude A is below the baseline estimate A_0 , then reduce the baseline estimate $A_0=A_0-\Delta$.
5. Set the normalized signal amplitude $G=A/A_0$.
6. If $T=(A_0-A) > zs$, then indicate a TOUCHED state.
7. Else, if $T=(A_0-A) \leq zs$, then indicate an IDLE state. Optionally, the estimate for s can be refined here by setting $s=(1-\epsilon)s+\epsilon(A_0-A)$.
8. Repeat from step 2 for the remaining light beams **104**.

FIG. **11** is a representative plot of the signal strength (relative units) vs. time (microseconds) based on data obtained from measurements made in an example touch-screen system **10**, for the measured electrical detector signal SD as denoted by A (solid line), the baseline signal A_0 (dotted line) and the signal threshold T (dashed line). The plot illustrates how

signal threshold T tracks with the baseline signal A_0 and also shows four different touch events TE (namely, TE1 through TE4) that occurred at different times, roughly at 125 ms, 145 ms, 157 ms and 185 ms, respectively.

There are some tradeoffs to be made when selecting the constants Δ , ϵ , z and s . In an example, the tracking step Δ needs to be set large enough to account for changes in the baseline estimate, but not so large that it obscures a touch event TE by changing the baseline so much that it obscures the occurrence of a touch event. In an example, a maximum signal “droop” is defined, below which the baseline will not be adjusted by Δ . In an example, the value for z can be chosen to be just high enough to eliminate false beam-break events. Some empirical data may be needed to establish a suitable value of z .

The algorithm can be tweaked in a variety of ways known to those skilled in the art to obtain optimum performance under a given set of conditions. By way of example, the algorithm can be made less sensitive to impulse noise, which can cause an unnaturally high baseline value A_0 . This can be accomplished by tracking the average baseline signal and creating an averaged baseline signal so that any spikes in the measured signal are muted.

Also, adjustments in the baseline signal value A_0 can be tuned to handle and distinguish among a wide variety of touch events TE, such as fingerprints on top surface **22** of transparent sheet **20**, the cleaning of the top surface, the placing of pressure-sensitive adhesive notes on the screen, etc.

Additionally, the system is capable of utilizing this method to determine the intensity of the touch event TE. This is particularly advantageous for some embodiments where different possible computer processes can be selected based on the intensity of the touch event TE. For example, a strong touch event TE may correspond to the selection or activation of a computer program, whereas a light touch event would correspond to an alternative action.

The baseline tracking methods disclosed herein have a number of advantages. A first is that the non-linear filtering allows for rapid peak tracking and the ability to hold the baseline during touch events. A second is that the touch threshold can be automatically adjusted for dynamic environmental conditions, thereby making the system more robust to detecting touch events and avoiding false-touch events. A third is that the methods can accommodate for touch events that do not return to the previously established baseline, such as steam or residue settling on the top surface **22** of transparent sheet **20**. A fourth is that the methods can suppress impulse noise that might otherwise re-set the baseline to an extreme value. A fifth is that the methods can filter out persistent smudges as being touch events.

Touch-Sensitive Display

FIG. **12** is a schematic elevated view of an example touch-sensitive display **400** formed by operably arranging touch-screen system **10** adjacent and above (e.g., atop) a conventional display unit **410**, such as a liquid crystal display. FIG. **13** is an exploded elevated view of an example touch-sensitive display **400** that shows more detail than FIG. **12**. The touch-sensitive display **400** includes bezel **40** that in one example resides atop surface **22** of transparent sheet **20** adjacent edges **26**. The touch-screen system **10** is operably arranged atop a display **410** and in an example includes a chassis **12** that supports the various components making up the touch-screen system.

FIG. **14A** is a schematic cross-sectional, partial exploded view of an example touch-sensitive display **400** illustrating an example of how to integrate touch-screen system **10** with conventional display unit **410**. The conventional display unit

15

410 is shown in the form of a liquid crystal display that includes a backlighting unit 414 that emits light 416, a thin-film transistor (TFT) glass layer 420, a liquid crystal layer 430, a color filter glass layer 450 with a top surface 452, and a top polarizer layer 460 with a top surface 462, all arranged as shown. A frame 470 is disposed around the edge of color filter glass layer 450. The light-source elements 102 are operably supported within frame 470, with flex circuits 110 supported on top surface 452 of color filter glass layer 450 and within the frame. This forms an integrated display assembly 480 having a top side 482.

With reference now to FIG. 14B, to form the final touch-sensitive display 400, transparent sheet 20 is added to integrated display assembly 480 of conventional display unit 410 by operably disposing the transparent sheet on top side 482 of the assembly. The transparent sheet 20 includes the aforementioned bezel 40 in the form of an IR-transparent but visibly opaque layer. An absorbing layer 41 can also be included at edge 26 of transparent sheet 20 to prevent light 104 from reflecting off the edges of the transparent sheet.

In the embodiment of touch-sensitive display 400 of FIGS. 14A and 14B, light-source elements 102 are face-coupled to bottom 24 of transparent sheet 20 through the IR-transparent bezel 40. There is also an optional air gap 474 formed between transparent sheet 20 and top polarizer layer 460. In an example, various indicia or indicium (not shown) may be presented to user 500 on or through transparent sheet 20 to guide the user to interact with touch-screen system 10. By way of example, the indicium may include areas on top surface 22 of transparent sheet 20 that are set aside for indicating user choices, software execution, etc.

Further Light-Sensing Element Arrangements

In an example embodiment of touch-screen system 10 illustrated in FIG. 6A and FIG. 6B, the light-source elements 102 are mounted on bottom surface 24 of transparent sheet 20 at or near perimeter 27. In this configuration, as much as half of light 104 shines directly through transparent sheet 20 and into the space above where the user 500 resides. If an object happens to be near top surface 22 of transparent sheet 20, such as the user's hand (not shown), it can reflect a portion of light 104, and some of this reflected light can find its way to one of the light-sensing elements 200. If the object moves away, then the same light-sensing element that detected the reflected light from the object will now cease to sense such light. This even will be represented in the detector signal and can mimic a touch event TE. This mimicked touch-event signal is also called a "hover signal," because it is caused by an object hovering above top surface 22 of transparent sheet 20.

To ensure that only actual touch events are detected by touch-screen system 10, only guided light 104 traveling in body 21 of transparent sheet 20 by total internal reflection can be detected by light-sensing elements 200. Certain embodiments discussed above such as those shown in FIG. 6A and FIG. 6B address the problem of suppressing ambient light.

FIG. 15A is a close-up partial cross-sectional view of an example configuration for touch-sensitive display 400 that is useful for reducing the adverse effects of ambient light 600 (and in particular, sunlight) on the detection of light 104 from light-source elements 102. The example configuration includes a slab waveguide 520 having a top surface 522 and a bottom surface 524. The slab waveguide 520 is disposed with its top surface 522 adjacent bottom surface 24 of transparent sheet 20. The slab waveguide 520 is arranged adjacent edge 26 of transparent sheet 20 and extends a short distance inward so that it at least covers light-sensing elements 200. One of the light-sensing elements 200 is shown in the cross-sectional view.

16

The slab waveguide 520 is stood off from a frame upper surface 472 by stand-off members 550 disposed between the frame upper surface and bottom surface 524 of the slab waveguide. An IR-transparent bezel 40 disposed on bottom surface 24 of transparent sheet 20 serves as a filter that blocks visible light but that transmits IR light 104. A reflecting layer 540 is disposed on a portion of top surface 522 of slab waveguide 520, and serves to assist in reflecting IR light 104 toward light-sensing element 200, which is disposed adjacent a portion of bottom surface 524 of the slab waveguide. In an example, frame upper surface 472 includes a light-absorbing layer 541.

By using bezel 40 as an IR filter that passes light 104 having an IR wavelength of about 950 nm but that blocks other wavelengths of light including those of ambient light 600, such as sunlight, room light or any other light that is not light 104, light-sensing element 200 can detect light 104 without substantial interference from the ambient light. The reflecting layer 540 acts as a shield to prevent ambient light 600 from being directly incident upon light-sensing element 200 while also assisting in reflecting light 104 toward the light-sensing element. Here, this reflecting assistance may include reflecting light 104 that might not otherwise reflect within body 21 of transparent sheet 20 by total internal reflection.

With continuing reference to FIG. 15A, consider light 104 traveling within body 21 of transparent sheet 20 via total internal reflection. As a given light ray 104 traverses transparent sheet 20 toward light-sensing element 200, it has an opportunity to enter slab waveguide 520 at a window 145 defined by the beginning of the mini waveguide and the leading edge of reflecting layer 540. The light rays 104 that do not enter this window 145 continue traveling in transparent sheet body 21 and eventually are absorbed at edge 26 by absorbing layer 41 disposed thereon.

The light rays 104 that enter window 145 have an opportunity to be incident upon light-sensing member 200. To do so, light ray 104 must undergo internal reflection within mini waveguide 520 at its lower surface 524 and reflect from reflecting layer 540 to travel toward light-sensing element 200. Note that reflecting layer 540 prevents light ray 104 from re-entering transparent sheet 20 and generally provides no opportunity for the light ray to escape prior to striking light-sensing element 200.

Now consider ambient light (i.e., ambient light rays) 600. The behavior of ambient light rays 600 depends in part upon the incident angle α that the ambient light rays make with top surface 22 of transparent sheet 20. If the incident angle α is very shallow (i.e., α is close to 90 degrees, or grazing incidence), ambient light rays 600 will be reflected from top surface 22 and not enter transparent sheet body 21. The ambient light rays 600 having a smaller incident angle α will travel directly through transparent sheet 20. If such ambient light rays 600 are incident upon reflecting layer 540, they will be reflected back out of top surface 22 of transparent sheet 20.

If ambient light rays 600 pass through transparent sheet 20 and also pass through window 145 and into slab waveguide 520, then visible wavelengths will be absorbed by the IR-transparent bezel 40. The IR portion of ambient light rays 600 will continue traveling but will exit bottom surface 524 of slab waveguide 520, passing through an air gap 525 between frame upper surface 472 and the bottom surface of the slab waveguide. This IR-component of ambient light rays 600 is absorbed by the absorbing layer 541 on frame upper surface 472 of frame 470.

Thus, the configuration of FIG. 15A enhances the detection of light 104 in light-sensing elements 200 in the presence of ambient light 600, substantially preventing the ambient light

from reaching the light-sensing elements. This is advantageous for any touch-screen system **10** that may be used outside in direct ambient light **600**, particularly sunlight.

FIG. **15B** is similar to FIG. **15A** and illustrates an example embodiment wherein touch-sensitive display **400** has a thinner configuration than that of FIG. **15A**. In the configuration of FIG. **15B**, slab waveguide **520** now resides adjacent a side **476** of frame **470** rather than atop upper surface **472** of the frame. In this embodiment, IR-transparent bezel **40** is extended by the width of frame **470**.

FIG. **15C** is similar to FIG. **15B** and illustrates an example embodiment where light-sensing element **200** is disposed so that it faces upside-down. In this configuration, light **104** enters slab waveguide **520** which is configured relative to transparent sheet **10** so that the light is totally internally reflected upward towards light-sensing element **200**. Slab waveguide **520** includes a shelf **521** configured to accommodate light-sensing element **200**. This configuration is advantageous in that the light-detecting element **200** faces away from the general direction of ambient light **500**. It also obviates the need for IR-transparent bezel **40**.

FIG. **15D** is similar to FIG. **15C** and illustrates an example embodiment where light-sensing element **200** is disposed adjacent an angled facet **527** of slab waveguide **520** at a detector angle ψ , relative to the horizontal. In an example, “horizontal” is defined relative to a plane **525** defined by planar bottom surface **524** of slab waveguide **520**. In an example, detector angle ψ , can be between 0 and 90 degrees, while in another example can be between 0 and 135 degrees. In the case where ambient light **600** could be incident upon light-source element **200**, IR-transparent bezel **40** can be disposed between slab waveguide **520** and transparent sheet **20** to cover the light-source element.

Robust Detection of Multiple Touch Events

An aspect of the disclosure includes robust detection methods for multiple touch events. The robust touch-event methods utilize a tomographic-based algorithm that can handle multiple touch events and that is particularly suited for a relatively high number of simultaneous touch events, such as five or more.

Rather than using a beam-break approach and the intersection of centerlines as discussed above, the present method employs tomographic techniques wherein transparent sheet **20** is treated as an imaging plane. The principle difference in the touch-screen systems and methods disclosed in this section as compared to those described above is that the present systems and methods benefit from the touch-screen system having a robust processor **302**, such as FPGA, ASIC for processing the electrical detector signals SD, and the use of a more complex tomographic algorithm for detecting multiple touch events TE.

An example of the tomographic method of finding the positions of multiple touch events TE includes performing steps associated with making measurements of the intensity of light **104** traveling over the respective lines-of-sight **105** associated with each light-sensing element, including establishing the baseline measurements as described above.

Then, in the next step, the set of intensity measurement for each light-sensing element **200** is analyzed to find “gaps”, i.e., those intensity values where the attenuation is above an attenuation threshold TA. A typical touch event requires approximately a 1% power resolution for reliable detection. The coordinates of the two ends of the gap associated with light-source elements **102** and the coordinates of the given light-sensing element **200** define two limiting lines-of-sight **105** that form a triangle with the particular light-sensing element and light-source elements. In an example, the inten-

sity associated with each line-of-sight **105** within the triangle is stored so that later on a weighted average (i.e., center-of-mass) calculation can be performed based on the attenuation values, as described below.

FIG. **16A** is similar to FIG. **9** and highlights (using darker lines) one example triangle **107** formed by light beams **104-1** that define the limiting lines-of-sight **105-1**. The touch-screen system **10** of FIG. **16A** has by way of illustration only two light-sensing elements **200** in the upper left and upper right corners, respectively, as shown in phantom.

After processing all of the measured intensities for the first light-sensing element **200**, a list of triangles **107** is generated. A similar list of triangles is generated for the next light-sensing element. A total of seven triangles **107** are present in FIG. **16A**.

Then, all of the possible overlaps between triangles **107** for the first and second light-sensing elements are examined. The resulting overlapping triangles define a list of quadrilaterals, which are now polygons **111** that define potential touch positions TE1, TE2, TE3 and TE4, as shown in FIG. **16A**. This process is repeated with the next light-sensing element **200** whereby its list of triangles **107** is examined for overlap with the polygons **111** generated so far. This process is repeated for all g light-sensing elements **200**.

After generating a list of the possible touch polygons **111**, the intensity attenuation (i.e., the strength of electrical detector signal SD) associated with each polygon **111** is determined. Since the number of polygons **111** is relatively small (e.g., 10 to 20), if uniform attenuation is assumed, then one can solve a system of $n \times m$, where n is number of polygons **111** and m is number of measurements above (i.e., greater than) the attenuation threshold TA, i.e., inside the areas defined by the triangles. With reference to FIG. **16B**, which represents a touch-screen system with three light-sensing elements **200** (but with the same configuration of touch events TE1 through TE4), the m polygons remaining then define touch events TE1 through TE4. Note that one polygon **111** remains that is not associated with a touch event TE. This polygon **111** represents a false touch event and so is eliminated.

This method can be stated more mathematically. First, for each light-sensing element $102k$, examine the set or array of consecutive normalized intensity measurements M_i , and find intervals where $M_i < TA$ ($i1 \leq i \leq i2$). The coordinates of light-source elements $102-i1$ and $102-i2$ and the coordinates of detector $102k$ form a triangle.

Once the lists of triangles **107** for all light-sensing elements **200** is completed, the intersections of the triangles **107** for the first and second detectors are determined, wherein the intersection of two triangles will create one of the polygons **111**. The list of all polygons is referred to as being “generation 2.”

Next, the intersection of any of the generation 2 polygons **111** with triangles **107** from the third light-sensing element **200** are identified to create polygons **111** of “generation 3.” This process is repeated to obtain up to generation g polygons **111**, where g is the number of light-sensing elements **200**.

Next, for each measurement M_i that is below the attenuation threshold T, solve the following equation:

$$\sum_{j=1}^p w_{ij} X_j = -\ln(M_i) \quad (1)$$

where w_{ij} represents the length of the line-of-sight **105** from a given light-sensing element **200** to a given light-source

element 102 that passes through polygon j. The parameter X_j is the attenuation per unit length for polygon j.

Next, since equation (1) above can be expressed for many measurements, the total number m of equations exceeds the number p of polygons 111. Thus, equation (1) can be written in matrix form as:

$$WX=M. \tag{2}$$

Multiplying both sides with the transpose of W, i.e., transposed W^T , yields:

$$(W^TW)X=W^TM, \tag{3}$$

which allows X to be expressed as:

$$X=(W^TW)^{-1}W^TM \tag{4}$$

Matrix (W^TW) is of dimension $p \times p$. Now the attenuation associated with each polygon 111 is determined using Equation (4). If any polygon's attenuation is below (i.e., lower than) the attenuation threshold T, it is eliminated as being representative of a touch event TE. The remaining polygons 111 are then considered as being representative of touch events TE.

Next, the center-of-mass coordinates (x', y') (e.g., the geometric center) for each remaining polygon 111 are calculated and are considered as the measured touch event coordinates. The area of each polygon 111 and its corresponding attenuation value is provided to processor 302.

In an example, it is assumed that the attenuation value for a given polygon 111 is constant, e.g., an average over the attenuation values associated with the polygon. In another example discussed in greater detail below, the attenuation value is the weighted average or center-of-mass based on a variation in attenuation values associated with a given polygon 111.

FIG. 17A shows the polygons 111 for a touch-screen system 10 having six light-sensing elements 200, wherein only one small polygon 111 (dotted-line oval) represents a false touch. FIG. 17B is similar to FIG. 17A, except that the one small polygon 111 identified by the dotted-line oval FIG. 17A has been eliminated based on its small attenuation value. The resulting polygons 111 are all tightly associated with the positions of the actual touch events TE1 through TE5.

Polygonal-Bounded SART Method

FIG. 18 shows a mesh 111 defined by the lines-of-sight 105 formed by the collection of light-source elements 102 and light-sensing elements 200 for the above-described example touch-screen configuration having four corner light-sensing elements 200 and eighty light-source elements 200 along the long edges and forty-six light-source elements along the short edges. The dimensions shown along edges 26 are in millimeters. With reference to the close-up view in FIG. 18, mesh 111 defines pixels 109, which are the smallest areas defined by the mesh. In an example, pixels 109 are defined by dividing the top surface 22 of transparent sheet 20 into small regions equal to or smaller than a select touch-event resolution. The pixels 109 can have a square or round shape, and in some instances the pixels can overlap

Each polygon 111 therefore includes one or more pixels 109, and each pixel has associated therewith an attenuation value.

Thus, in an example embodiment, the attenuation values associated with the pixels 109 within a given polygon 111 are determined using a simultaneous algebraic reconstruction technique (SART) algorithm. In this aspect of the method, a subset of pixels 109 can be used so that the solution can be determined much faster than by using the full SART algorithm with a full set of pixels.

The SART algorithm is based on the relationship

$$x_j = x_j + \lambda \frac{1}{\sum_{i=1}^m w_{ij}} \sum_{i=1}^m \left(\frac{b_i - \sum_{j=1}^n w_{ij}x_j}{\sum_{j=1}^n w_{ij}} \right) \tag{5}$$

For each measurement point i we can write the equation:

$$\sum_{j=1}^n w_{ij}x_j = b_i$$

where $b_i = (M_i)$ where M_i is measured light intensity, x_j is unit attenuation of pixel j, and w_{ij} is weight (i.e., the fraction of the pixel area) contributing to measurement i. It can be also be a line length inside given pixel.

Thus, the term

$$b_i - \sum_{j=1}^n w_{ij}x_j$$

(written in matrix form as $B-WX$) represents error in satisfying equation (5). The SART Algorithm adjusts values of x_j proportional to a combination of errors from all equations involving a given pixel. The proper combination of the errors is determined by the coefficients w_{ij} . At the end, the entire adjustment is scaled by the coefficient λ , which is an adjustment step that determines the speed of the convergence. If λ is too big, the iterative process may diverge. If λ is too small, it will take more iterations to converge.

In an example, rather than trying to solve the matrix equation $WX=B$, the overall attenuation is minimized via the relationship

$$\min_X \sum_{j=1}^n x_j$$

while still satisfy constraints given by the matrix relation $WX \geq B$. By the nature of the algorithm, the number of non-zero attenuation pixels 109 cannot exceed the number of measurements (i.e., the number of equations).

If the linear cost function is replaced by a nonlinear function that is sub-linear, then solutions with less non-zero attenuation pixels are favored. One such function would be:

$$\min_X \sum_{j=1}^n \sqrt{x_j}$$

with the constraint $WX \geq B$.

FIG. 19A is a computer screen image of the polygons relative to transparent sheet 20 as determined by the SART algorithm based on the raw measurement data. FIG. 19B is similar to FIG. 19A and shows the SART results for the bound-polygon embodiment of the method.

Reduction of Illumination Interference by a Two-Step Measurement Processes

Given a detector signal SD in the form of a photocurrent i_d from one of light-source elements **102**, and an interfering photocurrent i_e from an extraneous (i.e., external or ambient) light source, one method of suppressing the signal interference would be to make two measurements. The first measurement would be the photocurrent with the light-source element **102** turned off to determine the average interfering power. The second measurement would be with the light-source element **102** turned on. A subtraction of the two measurements would cancel the DC interference of the extraneous photocurrent from the measurement. However, the interfering light typically has a random shot noise term that cannot be cancelled. The corrected detector signal SD is thus partially contaminated with noise, though the corrected detector signal is improved (i.e., has a better SNR) over the uncorrected detector signal.

For slowly varying interferers, the measurement period with light-sensing element **102** turned off can be filtered with a long time constant to suppress the shot noise contamination. The measurement taken with the light-sensing element turned on can then be corrected by subtracting the average of the interference signal.

For rapidly varying interference sources, an example two-step method can be used that includes making a photocurrent measurement with light-source element **102** turned on and then subtracting an identical photocurrent measurement with light-source element **102** turned off. This leads to 3 dB worse shot noise contribution from the interfering power compared to the above-described filtered approach, but provides the fastest tracking of the interference changes. If a custom integrator is designed, then one can integrate up when the light-source element **102** turned on, and then integrate down for the same time when the light-source element is turned off. This is equivalent to making and subtracting two measurements.

A more detailed description of the aforementioned example two-step measurement approach to improve the SNR of the detector signal SD is as follows. A constant photocurrent i_d has an associated random shot noise current with a RMS current fluctuation $\sigma = \sqrt{2qi_d\Delta t}$, where q is the elementary charge of an electron and Δt is the signal frequency bandwidth in Hz. A switched integrator with integration time Δt has an effective noise bandwidth of $1/\Delta t$. Integrating onto a capacitance C , at the end of a cycle the signal is

$$\frac{i_d\Delta t}{C}$$

so that

$$\sigma = \sqrt{\frac{2qi_d/\Delta t}{C}}$$

An example of the disclosure is a two-step measurement of dark current to reduce or eliminate adverse effects of an interfering photocurrent. In the first measurement step, the interfering photocurrent i_e is integrated to produce a charge estimate from the interference signal, namely $i_e\Delta t$ with $\sigma = \sqrt{2qi_e/\Delta t}$. The second measurement step measures the detector signal photocurrent i_d plus the interfering photocurrent signal and produces a net charge $(i_e+i_d)\Delta t$ with $\sigma =$

$\sqrt{2q(i_e+i_d)/\Delta t}$. Subtracting the two measurements leads to an estimate of the detector signal photocurrent $i_d\Delta t$, with $\sigma = \sqrt{2q(2i_e+i_d)/\Delta t}$. The charge SNR is then:

$$SNR = i_d \sqrt{\frac{\Delta t}{2q(2i_e + i_d)}}$$

The above equation for the SNR indicates that the interfering photocurrent i_e contributes twice its fair share because it is integrated twice, while the desired detector photocurrent i_d is integrated only once. An improvement to the SNR can be achieved by subtracting a low-pass filtered version of the interfering photocurrent i_e . A non-linear digital filter can be implemented that has a time constant parametrically dependent on the error between the measurement and the filter value. This strategy would allow rapid accommodation to changes in background light, and would asymptotically take out the variance of the measurement after several sample cycles. Removing the variance of the background estimate gives a charge SNR of

$$SNR = i_d \sqrt{\frac{\Delta t}{2q(i_e + i_d)}} \tag{2}$$

which is about 3 dB better than that of Eq. 1 when $i_e \gg i_d$.

Reduction of Interfering Illumination by Current Injection

FIG. **20A** is a schematic diagram of an electrical circuit **700** configured to reduce the adverse effects of interfering illumination through the use of current injection. Electrical circuit **700** includes a light-sensing element **200** in the form of a photodiode. Photodiode **200** received light **104** and in response generates a photocurrent i_d+i_e , as described above. The photodiode is arranged in parallel with a digital-to-analog converter (DAC) **720** and drives an amplifier **710**. Amplifier **710** can be a transimpedance amplifier or an integrating amplifier.

A transimpedance amplifier configuration for electrical circuit **700** is shown in FIG. **20** in dashed-line box **B1** and includes a feedback resistor **712** that defines a feedback resistance (transimpedance value) R_F . The transimpedance amplifier configuration adjusts the output voltage V_{out} to make the two input voltages match. Since the positive input is grounded, the circuit forces the negative input to zero volts as well. If an input current $i_n=i_d$ flows in, then the output voltage must pull a current $i_x=i_d$ through the feedback resistor **712**, thereby defining V_{out} as $-R_F \cdot i_d$.

A switched integrator configuration for the relevant portion of electrical circuit **700** is shown in box **B2**, and replaces resistor **712** of Box **B1** with a capacitor **714** having a feedback capacitance C_F arranged in parallel with a re-set switch **716**. The re-set switch **716** is open from time $t=T_0$ until time $t=T_0+\Delta T$. The photocurrent i_d is converted to voltage V_{out} as defined by:

$$V_{out} = \frac{1}{C_F} \int_{T_0}^{T_0+\Delta T} i_d dt$$

In either configuration for electrical circuit **700**, amplifier **710** is sensitive to an input current i_{in} and produces an output voltage V_{out} that is proportional to i_{in} .

DAC 720 is connected at its input end to processor 302 and its output end to the input current summing node of amplifier 710. The polarity of the current is such that it subtracts from the diode photocurrent. DAC 720 pulls a fixed but programmable amount of current from photodiode 200 and prevents it from overloading amplifier 710. Processor 302 includes software that servos the DAC current to keep amplifier 710 in the linear region. This can be accomplished in several ways. One way involves making periodic measurements of the photocurrent with light-source element 102 turned off (i.e., no light 104 hitting photodetector 200).

The software feedback loop then adjusts the DAC output via feedback signal V_{out} to provide an average measured current of zero. When the zero condition has been achieved, the DAC output will be a compensating current i_{cc} that in one embodiment exactly cancels the interfering photocurrent i_e associated with interfering illumination. The software feedback loop varies the compensating current based on changes in the operating conditions of system 10, e.g., more or less ambient light generating more or less interference light.

In general, an estimate of the total photocurrent from photodiode 200 under any condition can be taken to be the DAC compensating current plus the amplifier photocurrent. By handling the largest portion of the photocurrent using DAC 720 and then measuring only the fluctuation due to touch events TE using amplifier 710, system 10 can tolerate a much larger photocurrent level than is possible with just an amplifier alone. Whether or not DAC 720 is used to precisely cancel the interfering photocurrent i_e by the compensating current i_{cc} , the combination of a DAC subtraction and a residual (interfering) photocurrent measurement can extend the range of measurable photocurrent.

Thus, the nulling or compensation (or reduction) of the interfering photocurrent i_e by compensating current i_{cc} can be done by adding a second input to summing node of amplifier 710. A negative current at this node is supplied by DAC 720, which is servo-ed by processor 302 to create a zero photocurrent reading when the light-source element 102 is turned off (i.e., light 104 is not incident upon photodetector 200). This nulling can be accomplished while minimizing both the thermal noise and the shot noise introduced by the canceling current.

Thus, an example method of the disclosure includes generating detector signal SD by making a first photocurrent measurement with one of the light-sensing elements 200 when the light-source elements 102 are turned off to determine a compensating photocurrent. The method then includes making a second photocurrent measurement with the same one of the light-sensing elements 200 with the light-source elements 102 turned on. The method then includes subtracting the first photocurrent measurement from the second photocurrent measurement.

Preventing Amplifier Saturation

In addition to simply eliminating the offset due to an interfering DC illumination, it is useful to prevent saturation of amplifier 710 from such illumination. The overload can be prevented by reducing the gain of the input processing channel, nulling out the extra signal current by a synthetic negative photocurrent, or by changing the integration time of the system.

Gain reduction can be implemented in a transimpedance amplifier by decreasing the transimpedance value R_F . However, this has the disadvantage of increasing the system noise. For a switched integrator which normally integrates for a fixed time ΔT , the dV/dt on the integration capacitor 714 rises with the extra photocurrent, so the integrated voltage may exceed the linear range during the fixed integration time. One

way to avoid overloading the dynamic range of the integrator is to read and reset the integration capacitor more frequently to avoid saturation. If the integration is broken into N shorter integrations, each of time $\Delta T/N$, then the total photocurrent for time ΔT can be taken as the sum of the result of each of the N sub-measurements. This technique allows an arbitrary baseline current to be accommodated by adding multiple shorter time measurements together.

Thus, an example method of the disclosure includes generating detector signal SD by making integrated photocurrent measurements for a fixed total time ΔT . The method also includes breaking the fixed total time ΔT into N intervals to define N sub-measurements that have corresponding time intervals $\Delta T/N$. The method further includes adding together the N sub-measurements to simulate a single integration, and then dynamically choosing N to avoid overloading amplifier 710.

Reduction of Interfering Illumination by Subtraction in Software

If DAC 720 cleanly saturates upon overload, then the output of the DAC can be used to adaptively set the integration time. If a single measurement exceeds the linear range of DAC 720, then the integration time can be reduced to $1/(nT)$ for successive n , until the measurement falls back into linear range.

To achieve the desired SNR for detector signal SD, n measurements are made and added together to complete one measurement cycle. The filtered DC interference is then digitally subtracted, leaving only the corrected detector signal SD that includes the unavoidable shot noise contribution of the interfering signal.

Although the embodiments herein have been described with reference to particular aspects and features, it is to be understood that these embodiments are merely illustrative of desired principles and applications. It is therefore to be understood that numerous modifications may be made to the illustrative embodiments and that other arrangements may be devised without departing from the spirit and scope of the appended claims.

What is claimed is:

1. A method of establishing positions of touch events on a transparent sheet having a perimeter, with light-source elements and light-sensing elements operably disposed adjacent the perimeter, comprising:

- a) using the light-sensing elements, measuring intensity values of light from the light-source elements, the light traveling internally within the transparent sheet over lines-of-sight between the light-source elements and the light-sensing elements, including generating from the light-sensing elements respective detector signals representative of the intensity values;
- b) processing the detector signals with an electrical circuit having an amplifier to determine limiting lines-of-sight for each light-sensing element based on the intensity values as compared to an attenuation threshold, wherein the processing includes: i) making integrated photocurrent measurements for a fixed total time ΔT ; ii) breaking the fixed total time ΔT into N intervals to define N sub-measurements that have corresponding time intervals $\Delta T/N$; iii) adding together the N sub-measurements to simulate a single integration; and iv) dynamically choosing N to avoid overloading the amplifier;
- c) overlapping triangles defined by the limiting lines-of-sight for each light-sensing element to establish one or more polygons; and
- d) determining centers of the one or more polygons to establish the touch event positions.

25

2. The method of claim 1, wherein each polygon has an associated attenuation based on the measured intensity values, and further comprising:

eliminating any polygons whose associated attenuation is below the attenuation threshold.

3. The method according to claim 1, further comprising determining the intensity of the touch event based on a comparison of the detector signal strength to a signal threshold.

4. The method according to claim 1, wherein the transparent sheet is substantially transparent to infrared (IR) light, and wherein the light from the light-source elements comprises an IR wavelength.

5. The method according to claim 4, further comprising filtering the IR light with a band-pass filter disposed adjacent the light-sensing elements, the band-pass filter configured to be substantially opaque to visible light and IR light having an IR wavelength different from the IR light emitted by the light-source elements.

6. The method according to claim 1, wherein generating the detector signals includes:

making a first photocurrent measurement with one of the light-sensing elements when the light-source elements are turned off;

making a second photocurrent measurement with the same one of the light-sensing elements when the light-source elements are turned on; and

subtracting the first photocurrent from the second photocurrent.

7. The method according to claim 1, wherein the perimeter includes a plurality of corners, and including arranging the light-sensing elements one adjacent each of the plurality of corners.

8. The method of claim 1, wherein there are n light-sensing elements, and further comprising:

determining a first set of the triangles for a first one of the light-sensing elements;

determining a second set of the triangles for a second one of the light-sensing elements;

determining a first set of the polygons from the first and second sets of triangles;

determining a third set of the triangles for a third one of the light-sensing elements and establishing intersections of the third set of triangles with the first set of polygons to form a second set of the polygons; and

repeating the previous step up until the n^{th} light-sensing element to arrive at a final set of polygons used in act d) to establish the touch event positions.

9. The method of claim 1, wherein determining the centers of one or more polygons comprises for each polygon:

determining attenuation values within the polygon; and calculating a center-of-mass of the polygon based on the attenuation values within the polygon and identifying the center-of-mass as the polygon center.

10. The method of claim 1, wherein determining the centers of one or more polygons comprises for each polygon:

assuming a constant value for the attenuation within the polygon; and

calculating the geometric center of the polygon as the polygon center.

11. The method of claim 1, wherein the measured intensity values are converted to detector signal strengths by the light-sensing elements, and further comprising:

establishing a baseline measurement of light traveling over the lines-of-sight;

defining a threshold detector signal strength based on the baseline measurement; and

26

comparing the detector signal strengths associated with the attenuated lines-of-sight to the threshold signal strength to determine whether the touch event occurred.

12. The method of claim 11, further comprising:

adjusting the baseline measurement based on changes in the detector signal strength; and

adjusting the threshold signal strength based on the adjusted baseline measurement.

13. A touch-screen system for sensing a location of one or more touch events, comprising:

a transparent sheet having a perimeter and a top surface where the one or more touch events occur;

a plurality of light-source elements that emit light and that are operably disposed adjacent the perimeter to couple the light into the transparent sheet to travel therein via total internal reflection;

a plurality of light-sensing elements operably disposed adjacent the perimeter to detect the light from the light-sensing elements and in response thereto generate detector signals having a signal strength representative of a detected light intensity, wherein the one or more touch events cause attenuation of the light intensity along at least one of the lines-of-sight corresponding to the select light-sensing element;

an electrical circuit having an amplifier electrically connected to the plurality of light-sensing elements and configured to process the detector signals to: i) make integrated photocurrent measurements for a fixed total time ΔT ii) break the fixed total time ΔT into N intervals to define N sub-measurements that have corresponding time intervals $\Delta T/N$; iii) add together the N sub-measurements to simulate a single integration; and iv) dynamically choose N to avoid overloading the amplifier;

a controller operably coupled to the light-source elements and the light-sensing elements and configured to control the emission of the light from the light-source elements and process the detector signals to:

I. compare the detector signal strength in each light-sensing element to an attenuation threshold to establish a one or more triangles as defined by limiting ones of the attenuated lines-of-sight for the given light-sensing element;

II. establish locations of at least one polygon formed by at least one intersection of the one or more triangles; and

III. calculate a center of the at least one polygon to define locations of corresponding one or more touch events.

14. The system according to claim 13, wherein the controller is further configured to determine the intensity of the touch event based on a comparison of the detector signal strength to a signal threshold.

15. The system according to claim 13, wherein the transparent sheet is substantially transparent to infrared (IR) light, wherein the emitted light from the light sources comprises IR light, and wherein the light-sensing elements are configured to detect the IR light.

16. The system according to claim 13, wherein the perimeter includes a plurality of corners, and wherein the light-sensing elements are disposed one adjacent each of the plurality of corners.

17. The system according to claim 13, further comprising a display unit disposed adjacent the bottom surface of the transparent sheet so that a user views the display unit through the transparent sheet.

18. The system according to claim 13, further comprising band-pass filters disposed one adjacent each of the light-sensing elements, the band-pass filters each configured to be

substantially opaque to visible light and IR light having an IR wavelength different from the IR light emitted by the light-source elements.

19. The system according to claim 13, wherein the electrical circuit is configured to provide a compensating current 5 that reduces or eliminates an interfering current that arises due to interfering illumination.

20. The system according to claim 19, wherein the electrical circuit includes a digital-to-analog converter operably connected to a processor that provides a feedback control 10 signal thereto to vary the compensating current.

* * * * *